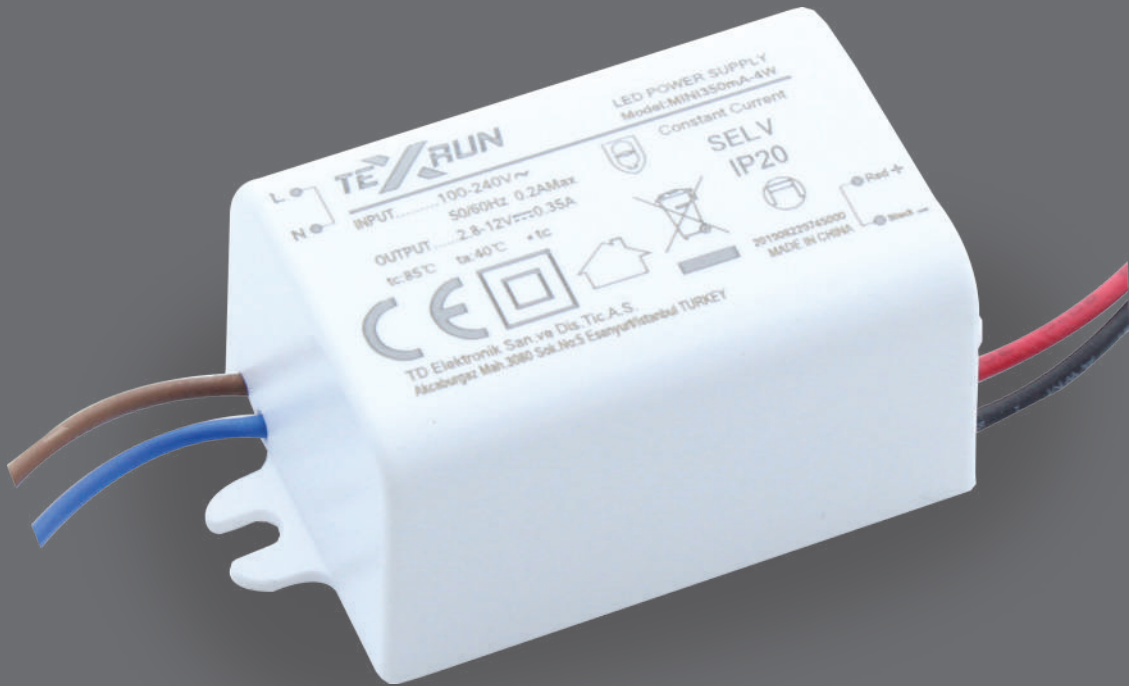


TEX RUN

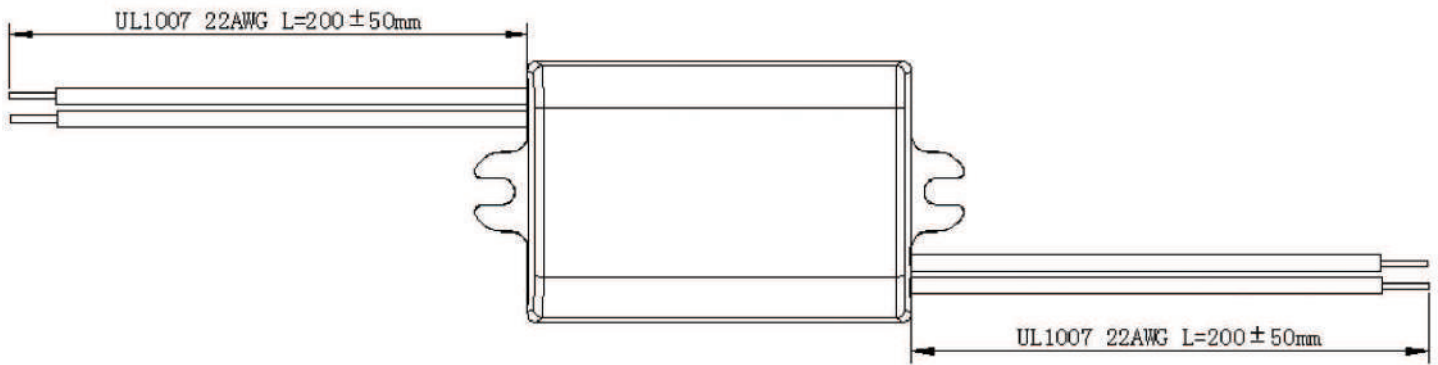
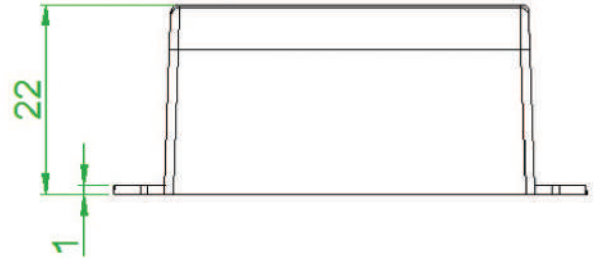
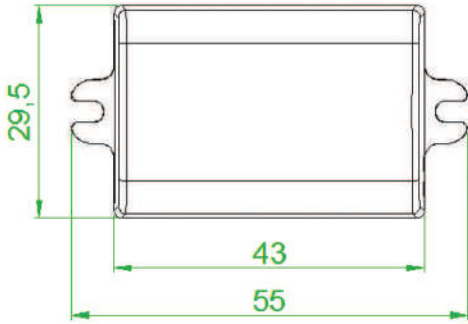
"Technology is Running"

MLA4-350-IP20 Constant Current LED Driver

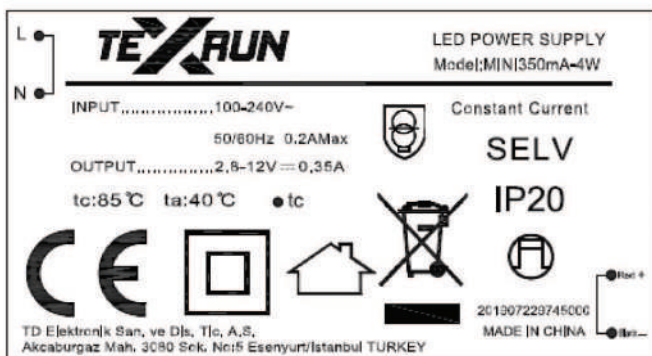


MECHANICAL DRAWINGS

AC Input: UL1007 22AWG / 200mm
DC Output: UL1007 22AWG / 200mm



LABEL



PACKING

Outside Box: 370L*280W*195H
Quantity: 200PCS/CTN



ELECTRICAL SPECIFICATIONS

	Item	Technical Norm
INPUT	Max. Output Wattage	4W
	Rated Input Voltage	100 - 240VAC
	Range Of Input Voltage	90 - 264VAC
	Frequency (hz)	50 / 60Hz
	Current	0.2A MAX. @Full Load
	Start-up time	<1S for ERP @Full Load
	Inrush Current	40A MAX. @Full Load, 100 - 240VAC
	Unload Power Consumption	≤0.5W
OUTPUT	Unload Voltage	22VDC MAX.
	Load Voltage Rang	NA
	Constant Current	350mA
	Constant Accuracy	±5% @100 - 240VAC
	Constant Regulation	≤5%@Full Load
	Hold-up Time	NA
	Efficiency in Full Load	≥71%@Full Load, 100 - 240VAC
	Ripple	NA
DIMMING	Dimmable Or Not	NA
	Dimmable Or Not	NA
	Dimming Current Range	NA
PROTECTION	Over Load Protection	Protection Type: Auto Restore
	Over Voltage Protection	Protection Type: Auto Restore
	Short Circuit Protection	Protection Type: Auto Restore
	Over Temperature Protection	Protection Type: Auto Restore
HI-POT	Input - Output (V.AC)	3000V/5mA/1min
	Input - FG (V.AC)	NA
	Output - FG (V.AC)	NA
	Leakage Current	<0.5mA
ISOLATION RESISTANCE	Input - Output (V.AC)	≥10MΩ@500VDC
	Input - FG (V.AC)	NA
	Output - FG (V.AC)	NA
ENVIRONMENT LIFE SPAN	Operating Temperature	-10°C ...+40°C
	tc	85°C
	Storage Temperature	-20°C...+60°C
	Humidity	20%-90%RH
	Life time	> 30,000h @50
FEATURE	HSF requirement	RoHS
	Dimension	55*29.5*22 (LXWXH)mm
SEFETY & EMC	Approval	CE
	Safety Standards	EN 61347-1; EN61347-2-13 EN60598-1; EN60598-2-6
	EMI	EN55015 / EN61000-3-2 / Class C EN61000-3-3 EN61547; EN61000-4-2 8KV; 4KV;
	EMS	Performance Criteria B EN61000-4-5 1000V; Performance Criteria C

Note: All parameters NOT specially mentioned are measured at rated input or max rated input, and 25°C ambient temperature