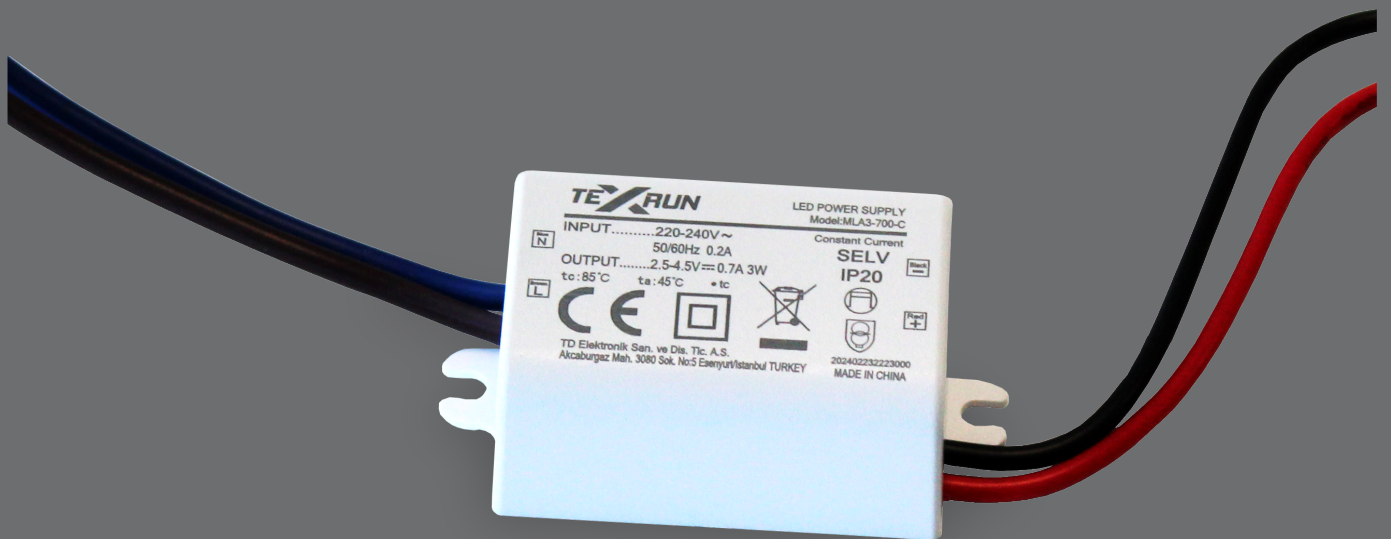


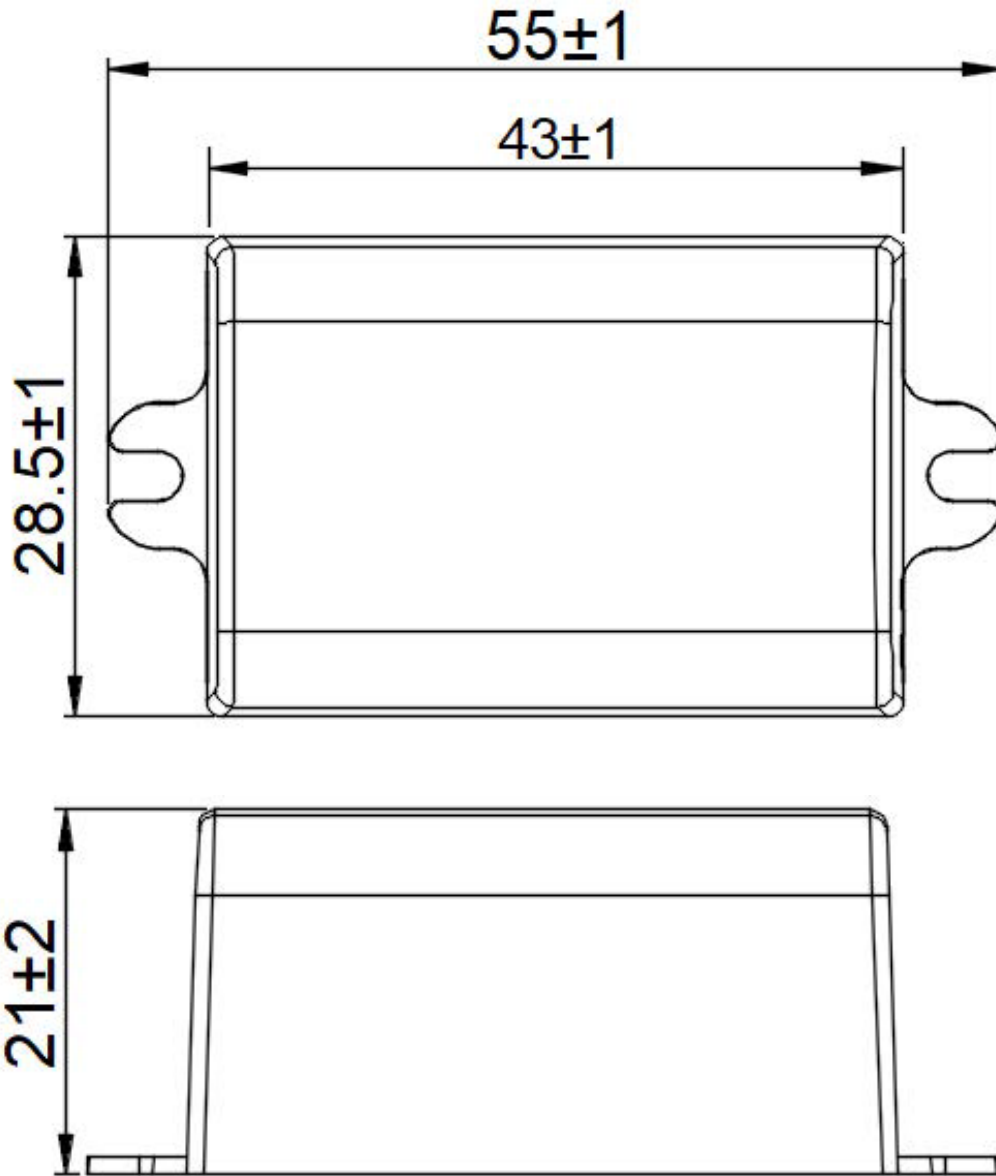
# TEX RUN

"Technology is Running"

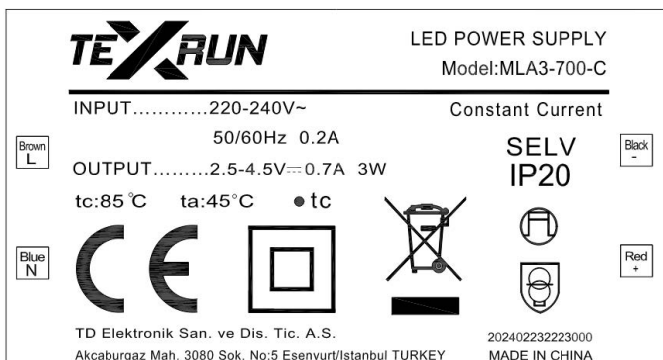
## MLA3-700-C Constant Current LED Driver



MECHANICAL DRAWINGS



LABEL



PACKING

Outside Box: 425L\*280W\*220H  
Quantity: 200PCS/CTN



**ELECTRICAL SPECIFICATIONS**

	Item	Technical Norm
<b>INPUT</b>	Max. Output Wattage	3W
	Rated Input Voltage	220 - 240VAC
	Range Of Input Voltage	198 - 264VAC
	Frequency (hz)	50 / 60Hz
	Power Factor	NA
	Current	0.2A MAX. @Full Load, 220-240VAC
	Start-up Time	< 1S for ERP @Full Load
	Unload Power Consumption	≤0.5W
<b>OUTPUT</b>	Unload Voltage	10VDC
	Load Voltage Rang	2.5-4.5VDC
	Constant Current	700mA
	Constant Accuracy	±10% @220 - 240VAC
	Constant Regulation	≤10%@Full Load
	Hold-up Time	NA
	Efficiency in Full Load	≥53.0%@Full Load ,230AC 50Hz
	Ripple	<300mVp-p @Full Load, 220-240VAC
<b>MEASURED METHODS</b>	Output in parallel with a 0.1uf ceramic chip capacitor and a 10uf electrolytic capacitor Measured using a 20MHz bandwidth	
<b>PROTECTION</b>	Over Load Protection	NA
	Over Voltage Protection	NA
	Short Circuit Protection	Protection Type: Auto Restore
	Over Temperature Protection	NA
<b>HI-POT</b>	Input - Output (V.AC)	3000V/5mA/1min
	Input - FG (V.AC)	NA
	Output - FG (V.AC)	NA
<b>ISOLATION RESISTANCE</b>	Input - Output (V.AC)	≥100MΩ@500VDC
	Input - FG (V.AC)	NA
	Output - FG (V.AC)	NA
<b>ENVIRONMENT LIFE SPAN</b>	Operating Temperature	-20°C...45°C
	tc	85°C
	Storage Temperature	-40°C...+80°C
	Humidity	20%-90%RH
	Life time	30,000h @230V@Ta20-45°C
<b>FEATURE</b>	HSF requirement	RoHS
<b>SEFETY &amp; EMC</b>	Dimension	43*28.5*21(L*W*H*)mm
	Approval	CE
	Safety Standards	EN 61347-2-13:2014+A1:2017 / EN 61347-1:2015+A1:2021
		EN IEC 55015:2019+A11:2020
	EMI	EN 61547:2009
		EN IEC 61000-3-2:2019+A1:2021 EN 61000-3-3:2013 +A1:2019+A2:2021

**Note:** All parameters NOT specially mentioned are measured at rated input or max rated input, and 25°C ambient temperature