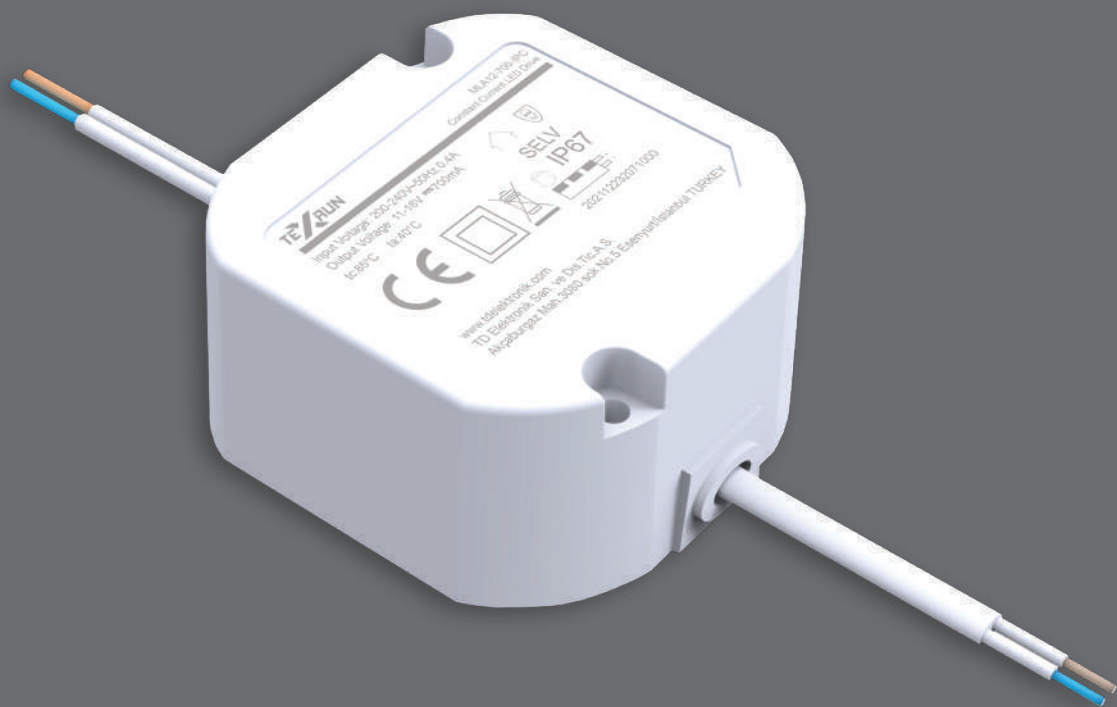


# TE~~X~~RUN

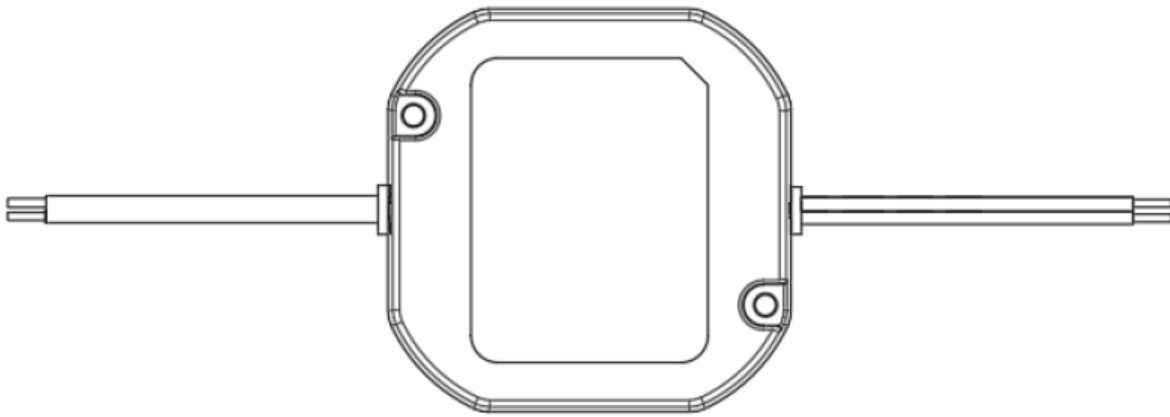
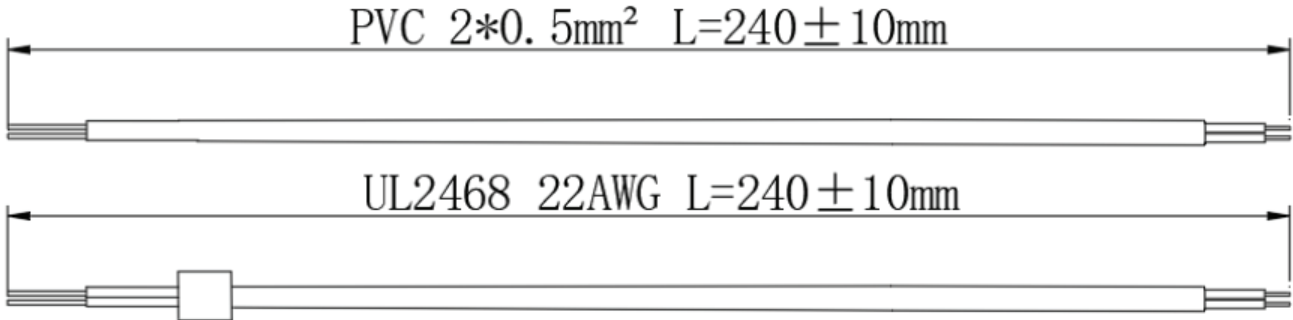
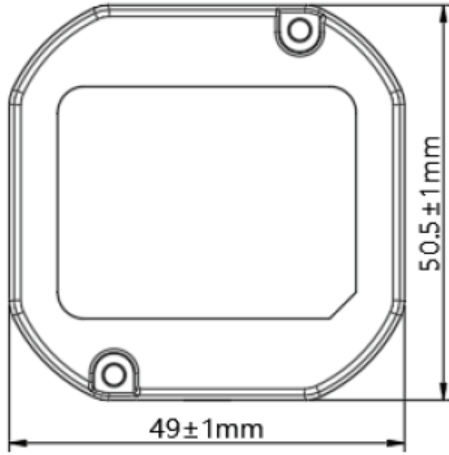
"Technology is Running"

## MLA12-700-IPC Constant Current LED Driver

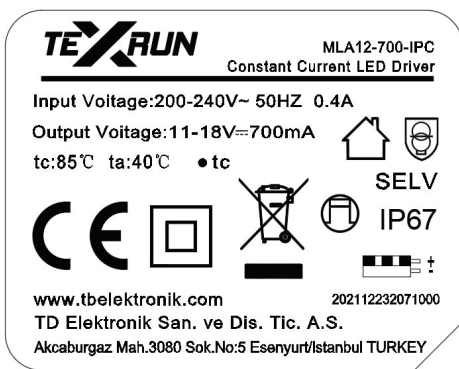


MECHANICAL DRAWINGS

AC Input: PVC 2\*0.5mm<sup>2</sup> / 0.24M  
DC Output: UL2468 22/2C / 0.24M



LABEL



PACKING

Outside Box: 450L\*285W\*320H  
Quantity: 100PCS/CTN



**ELECTRICAL SPECIFICATIONS**

	Item	Technical Norm
<b>INPUT</b>	Max. Output Wattage	12W
	Rated Input Voltage	200-240VAC
	Range Of Input Voltage	180-264VAC
	Frequency (hz)	50 Hz
	Power Factor	NA
	Current	0.4A MAX. @Full Load, 200-240VAC
	Start-up Time	< 1S for ERP @Full Load
	Inrush Current	NA
	Unload Power Consumption	≤0.5W
<b>OUTPUT</b>	Unload Voltage	28Vmax
	Load Voltage Rang	11-18V
	Constant Current	700mA
	Constant Accuracy	±10% @200-240VAC
	Constant Regulation	≤10%@Full Load
	Hold-up Time	NA
	Does it meet the new (ERP)	Yes
	Ripple	< 300mVp-p @Full Load , 200-240VAC
<b>DIMMING</b>	Dimmable Or Not	NA
	Dimmable Or Not	NA
	Dimming Current Range	NA
<b>PROTECTION</b>	Over Load Protection	Protection Type: Auto Restore
	Over Voltage Protection	Protection Type: Auto Restore
	Short Circuit Protection	Protection Type: Auto Restore
	Over Temperature Protection	Protection Type: Auto Restore
<b>HI-POT</b>	Input - Output (V.AC)	3000V/5mA/1min
	Input - FG (V.AC)	NA
	Output - FG (V.AC)	NA
<b>ISOLATION RESISTANCE</b>	Leakage Current	< 0.5mA(230VAC)
	Input - Output (V.AC)	≥10MΩ@500VDC
	Input - FG (V.AC)	NA
	Output - FG (V.AC)	NA
<b>ENVIRONMENT</b>	Operating Temperature	-20 ...+50 °C
	tc	85°C
	Storage Temperature	-40 ...80 °C
	Humidity	20%-90%RH
<b>LIFE SPAN</b>	Life time	> 30,000h @50
	HSF requirement	RoHS
<b>FEATURE</b>	Dimension	50.5*49*25(LXWXH)mm
<b>SAFETY &amp; EMC</b>	Approval	CE
	Safety Standards	EN 61347-1 / EN61347-2-13 / EN60598-1 / EN60598-2-6
	EMI	EN55015 / EN61000-3-2 / Class C EN61000-3-3
		EN61547; EN61000-4-2 8KV; 4KV;
	EMS	Performance Criteria B EN61000-4-5 1000V; Performance Criteria C

**Note:** All parameters NOT specially mentioned are measured at rated input or max rated input, and 25°C ambient temperature