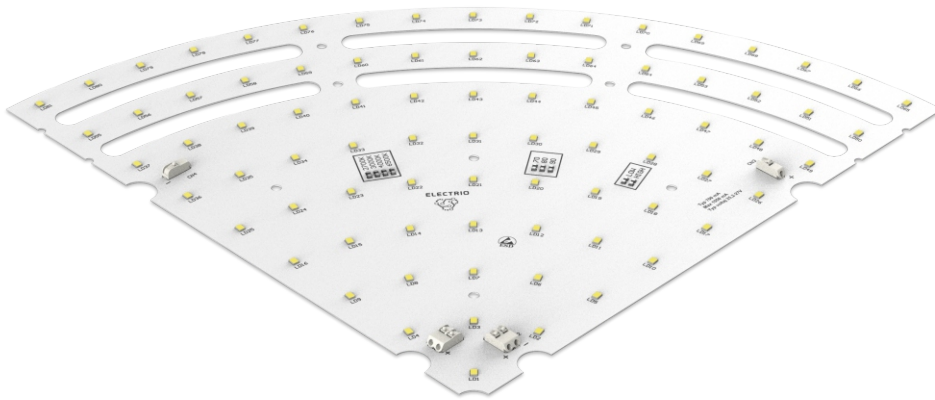


EQ-R560-0909-L128

New Exprience Of Lighting



- Lumileds Luxeon 2835 SA-A1 3V
- Constant Color, MacAdams Step 3
- Homogeneous illumination
- Optional PCB Material Selection



- Substrate:ALU/FR4/CEM1/CEM3
- PCB Thickness: 1.0/1.6 mm
- Copper Weight:35Um/70Um
- Surface Treatment:HASL/OSP
- Thermal Conductivity:1W/1.2W/1.5W/2W
- Breakdown Voltage:2000V

Electrical Specification

Product Code	Colour	Luminous Flux TC:25°C Tj:25°C	Forward Voltage Flux Tj:25°C	Serial	Parallel	Power Consumption	Efficacy	CRI	
						TC:25°C Tj:25°C	TC: 25°C Tj:25°C		
		(k)	(lm)	(v)			(w)	(lm/w)	(Ra)
Operation Mode at 700 mA									
EQ-R560-0909-L128-30-80	3000	3169	25.02	9	9	17.51	180.98	80	
EQ-R560-0909-L128-40-80	4000	3302	25.02	9	9	17.51	188.57	80	
EQ-R560-0909-L128-65-80	6500	3256	25.02	9	9	17.51	185.95	80	
Operation Mode at 1000 mA									
EQ-R560-0909-L128-30-80	3000	4453	25.56	9	9	25.56	174.21	80	
EQ-R560-0909-L128-40-80	4000	4615	25.56	9	9	25.56	180.55	80	
EQ-R560-0909-L128-65-80	6500	4562	25.56	9	9	25.56	178.48	80	
Operation Mode at 1400 mA									
EQ-R560-0909-L128-30-80	3000	6028	26.19	9	9	36.67	164.38	80	
EQ-R560-0909-L128-40-80	4000	6218	26.19	9	9	36.67	169.56	80	
EQ-R560-0909-L128-65-80	6500	6157	26.19	9	9	36.67	167.90	80	

**These values are estimated.



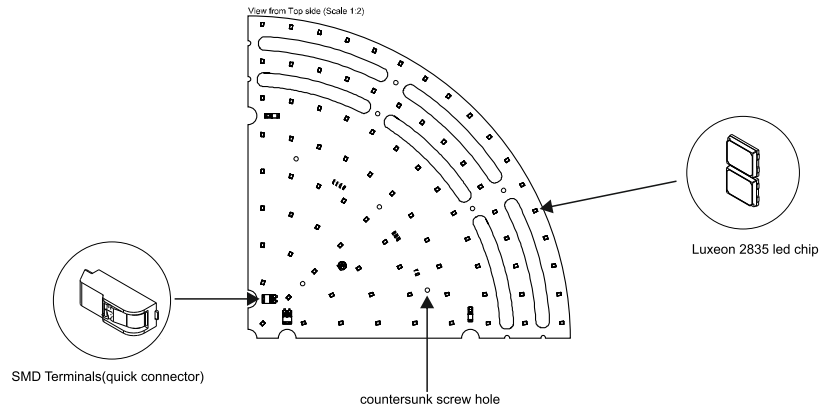
EQ-R560-0909-L128

Mechanical Specification

New Experience Of Lighting

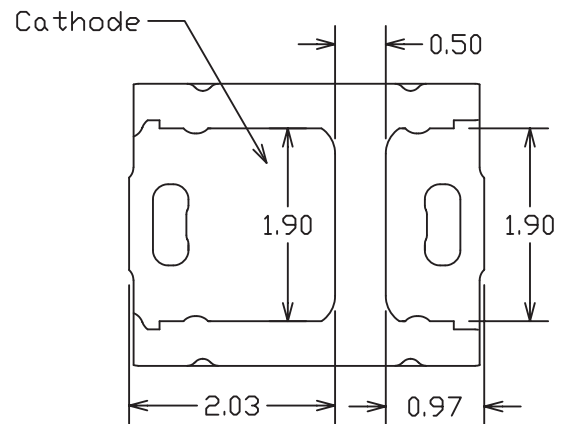
PCB Specification

- Length:281 mm
- Width:281 mm
- Height:2.25 mm
- Thickness of PCB: 1.6 mm

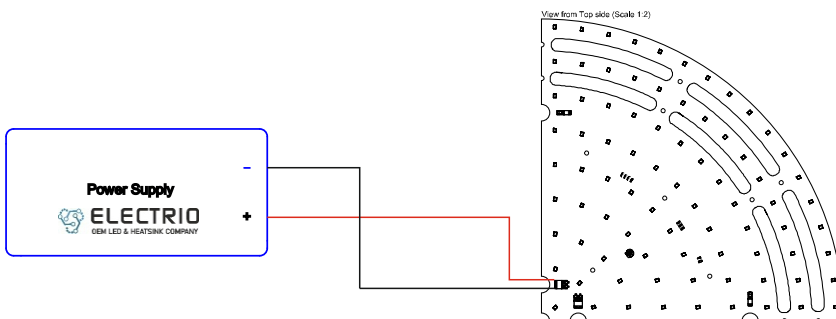


LEDs Specification

- CRI:80
- IF-Type:65 mA
- IF-Max:200 mA
- Tj-Typ(sorting), Tj-Max:45°C-85°C



Connection Diagram



EQ-R560-0909-L128

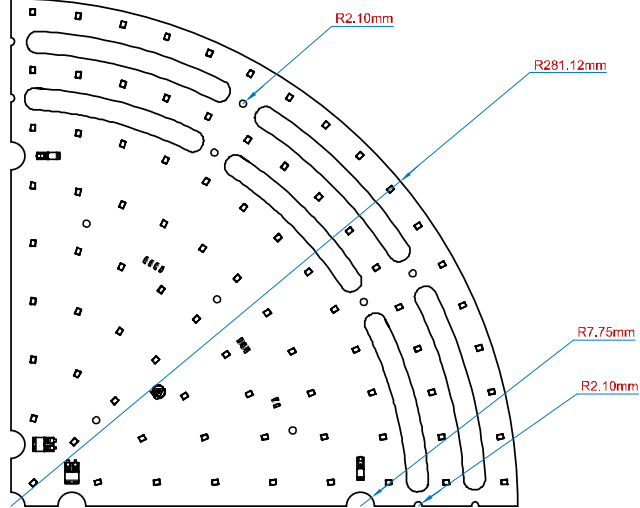
Mechanical Dimensions

New Exprience Of Lighting

View from Front side (Scale 1:2)



View from Top side (Scale 1:2)



View from Bottom side (Scale 1:2)

