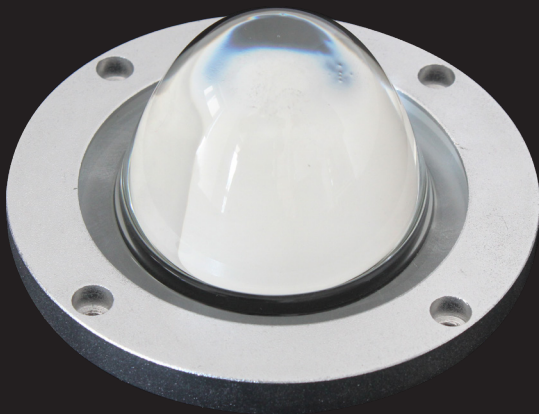


LIMBUS
CONTROL YOUR LIGHT



BY  *TD Lighting Solutions*



TLS01NI-D78 Series

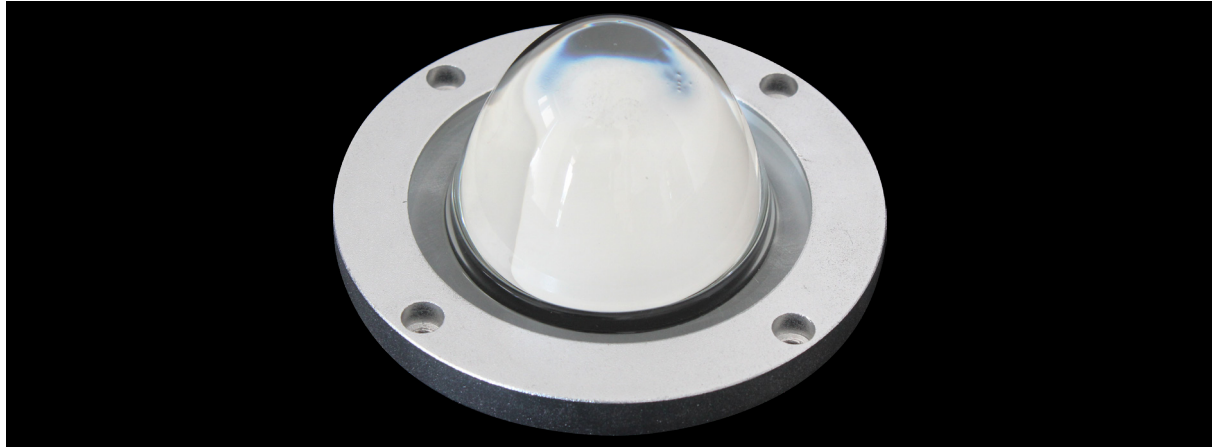
FAMILY DATASHEET

TLS01NI-D78-45-AG-GL
with LEDVANCE LVCOB VAL-050-1208
 LED OPTIC DATASHEET

www.limbus.com.tr
 444 27 33

LIMBUS
 CONTROL YOUR LIGHT

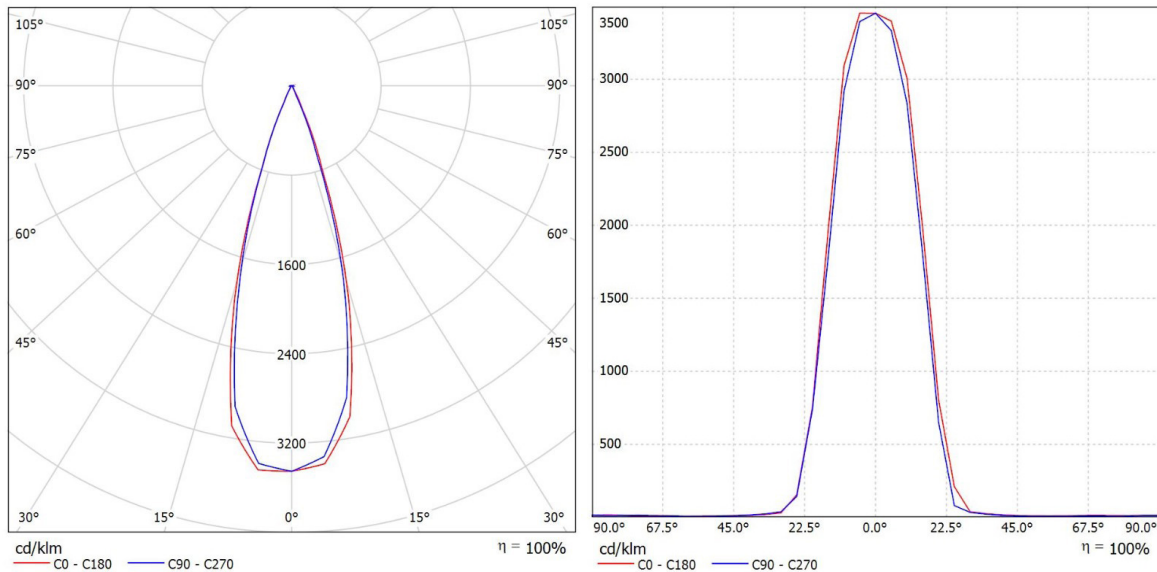
PRODUCT PICTURE



GENERAL SPECIFICATIONS

Product Code	TLS01NI-D78-45-AG-GL
Description	Highbay Lighting
Degree (FWHM)	31°
Efficiency	87%
Type	Single Optic -IP
Size (mm) ØxH	78x47 mm
Material / Operating Temp.	Optical Grade Glass / -40 ° C ~ + 500 ° C max
Fastening	Screw
Box Size (mm) W x L x H	
Box Quantity	pcs
Box Weight (g)	
Rohs Complaint	Yes
Storage Temperature	0 ° C ~ 40 ° C max
COB LED	LEDVANCE COB 1208

PHOTOMETRIC SPECIFICATIONS



APPLICATION NOTES

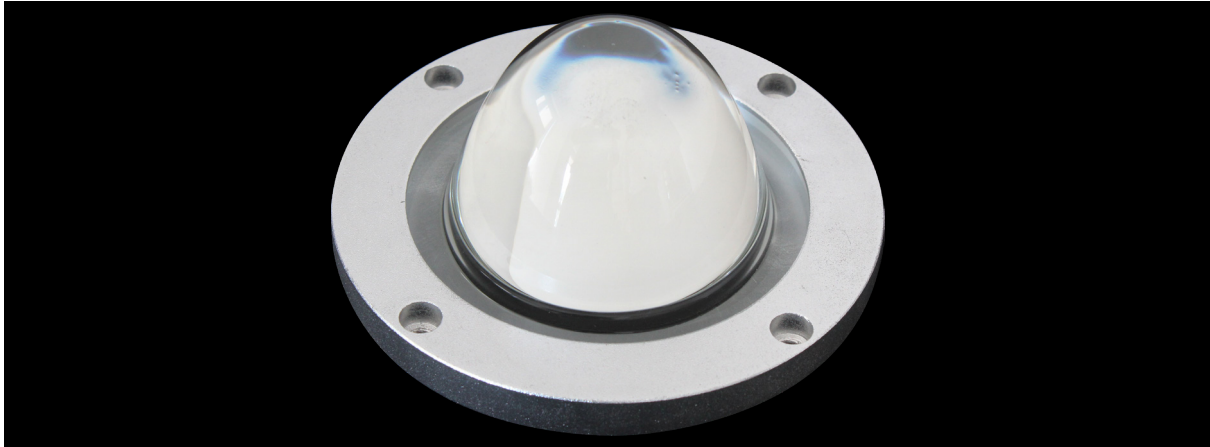
- Please use a litter water and soft fabric (air-laid paper) to clean the lens & reflector if necessary.
- Forbid to use industrial solvent to clean the lens, such as alcohol.
- Storage environment temperature is 0°C~40°C, humidity is 30%~95%.
- Optic Lens has the function to change the ray of light, it is made of optical material, the effect shall be influenced once pollute. Please do not open the packing before use it, to avoid the dust pollution.
- Protect the product from the sun and other ultraviolet ray, as these will lead to aging, change color, crack, etc.
- Please ware gloves once install the lens, avoid to abrasion the lens surface.
- Forbid to use acidic or alkaline solution touch the product, avoid to generate the chemical reactions.

TLS01NI-D78-45-AG-GL
with LEDVANCE LVCOB VAL-087-1211
 LED OPTIC DATASHEET

www.limbus.com.tr
 444 27 33

LIMBUS
 CONTROL YOUR LIGHT

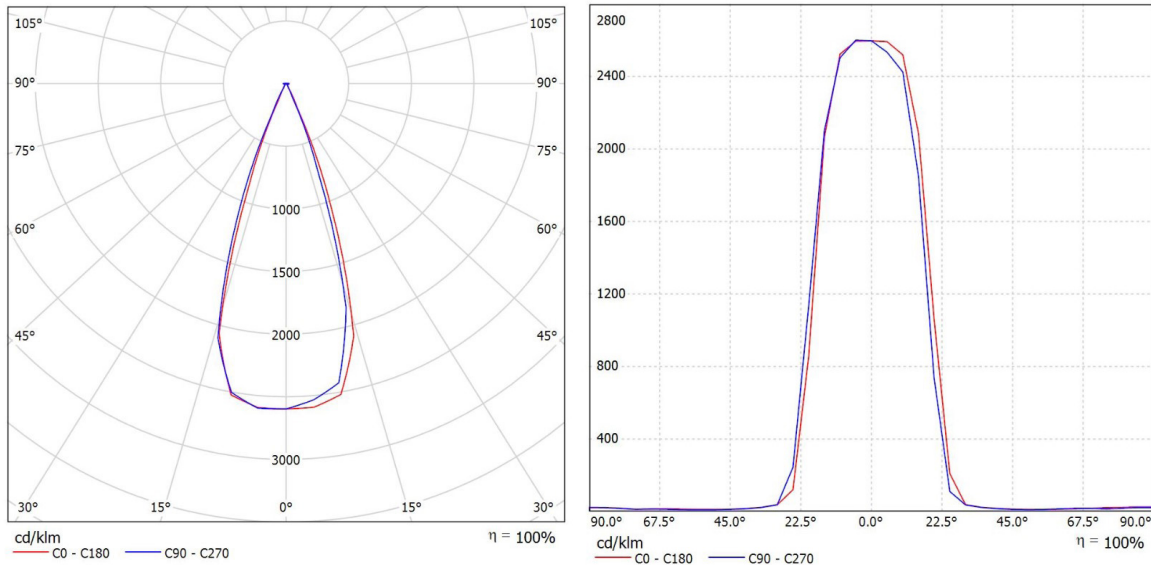
PRODUCT PICTURE



GENERAL SPECIFICATIONS

Product Code	TLS01NI-D78-45-AG-GL
Description	Highbay Lighting
Degree (FWHM)	38°
Efficiency	93%
Type	Single Optic -IP
Size (mm) ØxH	78x47 mm
Material / Operating Temp.	Optical Grade Glass / -40 ° C ~ + 500 ° C max
Fastening	Screw
Box Size (mm) W x L x H	
Box Quantity	pcs
Box Weight (g)	
Rohs Complaint	Yes
Storage Temperature	0 ° C ~ 40 ° C max
COB LED	LEDVANCE COB 1211

PHOTOMETRIC SPECIFICATIONS



APPLICATION NOTES

- Please use a litter water and soft fabric (air-laid paper) to clean the lens & reflector if necessary.
- Forbid to use industrial solvent to clean the lens, such as alcohol.
- Storage environment temperature is 0°C~40°C, humidity is 30%~95%.
- Optic Lens has the function to change the ray of light, it is made of optical material, the effect shall be influenced once pollute. Please do not open the packing before use it, to avoid the dust pollution.
- Protect the product from the sun and other ultraviolet ray, as these will lead to aging, change color, crack, etc.
- Please ware gloves once install the lens, avoid to abrasion the lens surface.
- Forbid to use acidic or alkaline solution touch the product, avoid to generate the chemical reactions.

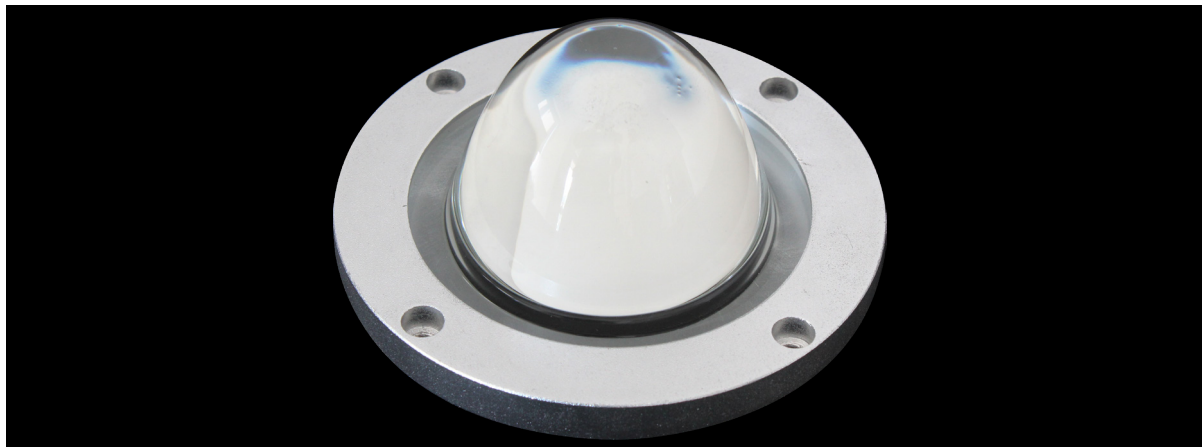
TLS01NI-D78-45-AG-GL with LUMILEDS LUXEON COB 1211

LED OPTIC DATASHEET

www.limbus.com.tr
444 27 33

LIMBUS
CONTROL YOUR LIGHT

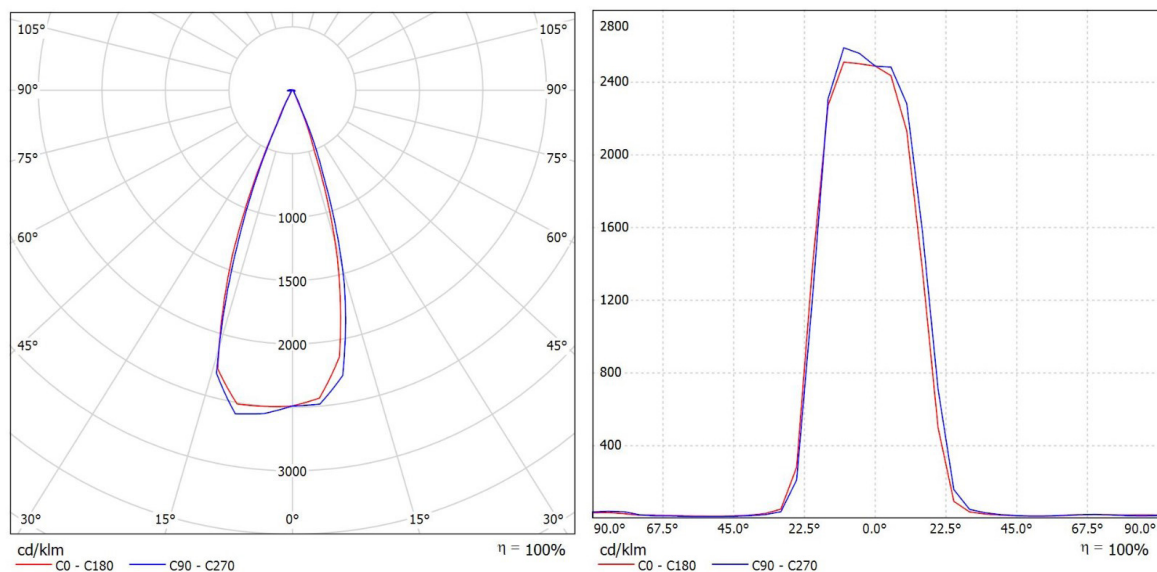
PRODUCT PICTURE



GENERAL SPECIFICATIONS

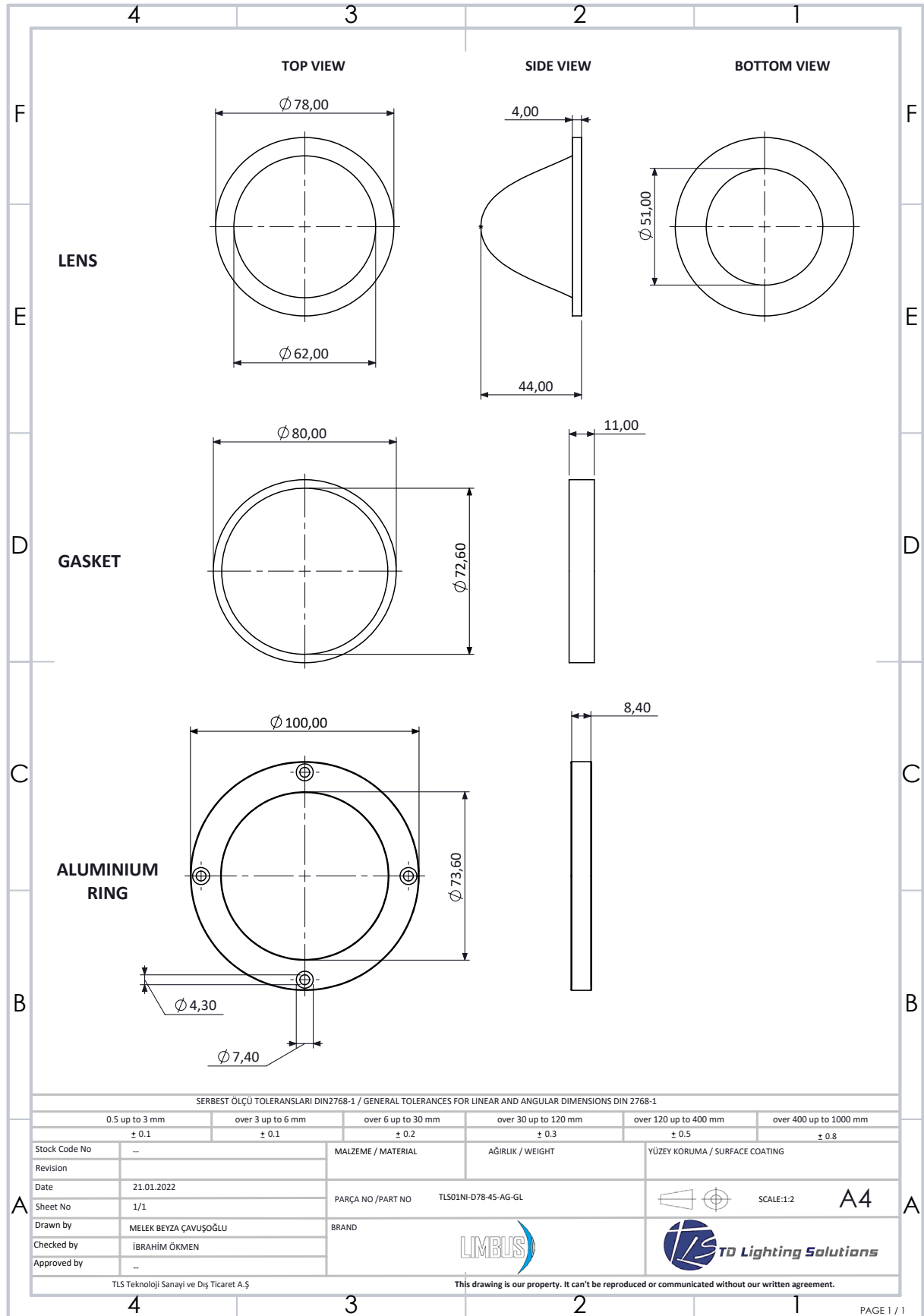
Product Code	TLS01NI-D78-45-AG-GL
Description	Highbay Lighting
Degree (FWHM)	36°
Efficiency	90%
Type	Single Optic -IP
Size (mm) ØxH	78x47 mm
Material / Operating Temp.	Optical Grade Glass / -40 ° C ~ + 500 ° C max
Fastening	Screw
Box Size (mm) W x L x H	
Box Quantity	pcs
Box Weight (g)	
Rohs Complaint	Yes
Storage Temperature	0 ° C ~ 40 ° C max
COB LED	LUXEON COB 1211 GEN4

PHOTOMETRIC SPECIFICATIONS



APPLICATION NOTES

- Please use a litter water and soft fabric (air-laid paper) to clean the lens & reflector if necessary.
- Forbid to use industrial solvent to clean the lens, such as alcohol.
- Storage environment temperature is 0°C~40°C, humidity is 30%~95%.
- Optic Lens has the function to change the ray of light, it is made of optical material, the effect shall be influenced once pollute. Please do not open the packing before use it, to avoid the dust pollution.
- Protect the product from the sun and other ultraviolet ray, as these will lead to aging, change color, crack, etc.
- Please ware gloves once install the lens, avoid to abrasion the lens surface.
- Forbid to use acidic or alkaline solution touch the product, avoid to generate the chemical reactions.



TLS01NI-D78-60-AG-GL with LEDVANCE LVCOB VAL-050-1208

LED OPTIC DATASHEET

www.limbus.com.tr
444 27 33

LIMBUS
CONTROL YOUR LIGHT

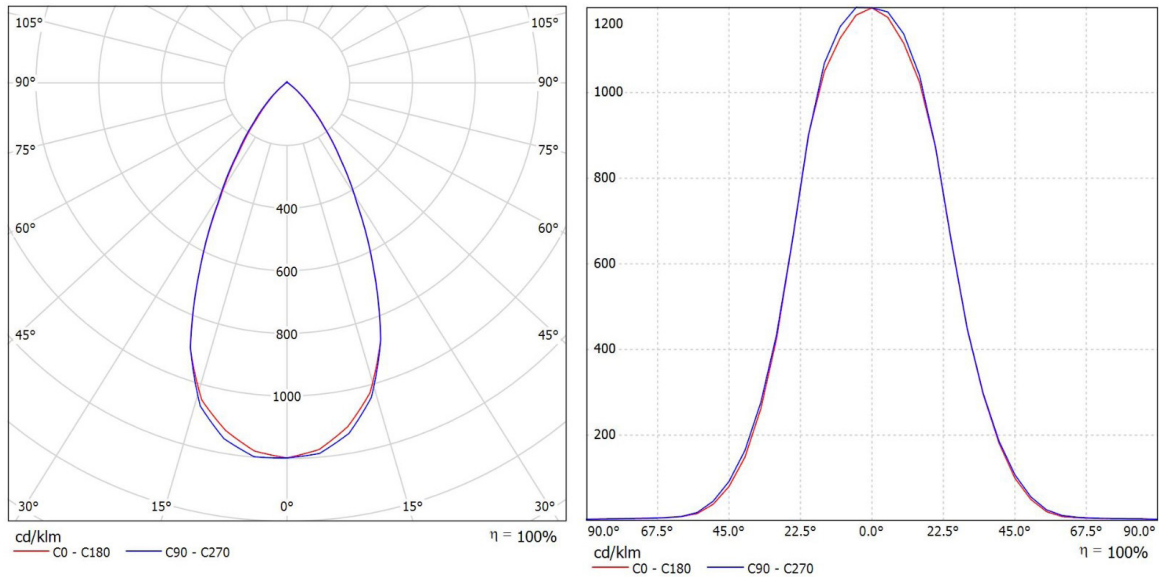
PRODUCT PICTURE



GENERAL SPECIFICATIONS

Product Code	TLS01NI-D78-60-AG-GL
Description	Highbay Lighting
Degree (FWHM)	52°
Efficiency	92%
Type	Single Optic -IP
Size (mm) ØxH	78x43 mm
Material / Operating Temp.	Optical Grade Glass / -40 ° C ~ + 500 ° C max
Fastening	Screw
Box Size (mm) W x L x H	
Box Quantity	pcs
Box Weight (g)	
Rohs Complaint	Yes
Storage Temperature	0 ° C ~ 40 ° C max
COB LED	LEDVANCE 1208 COB

PHOTOMETRIC SPECIFICATIONS



APPLICATION NOTES

- Please use a litter water and soft fabric (air-laid paper) to clean the lens & reflector if necessary.
- Forbid to use industrial solvent to clean the lens, such as alcohol.
- Storage environment temperature is 0°C~40°C, humidity is 30%~95%.
- Optic Lens has the function to change the ray of light, it is made of optical material, the effect shall be influenced once pollute. Please do not open the packing before use it, to avoid the dust pollution.
- Protect the product from the sun and other ultraviolet ray, as these will lead to aging, change color, crack, etc.
- Please ware gloves once install the lens, avoid to abrasion the lens surface.
- Forbid to use acidic or alkaline solution touch the product, avoid to generate the chemical reactions.

TLS01NI-D78-60-AG-GL
with LEDVANCE LVCOB VAL-087-1211
 LED OPTIC DATASHEET

www.limbus.com.tr
 444 27 33

LIMBUS
 CONTROL YOUR LIGHT

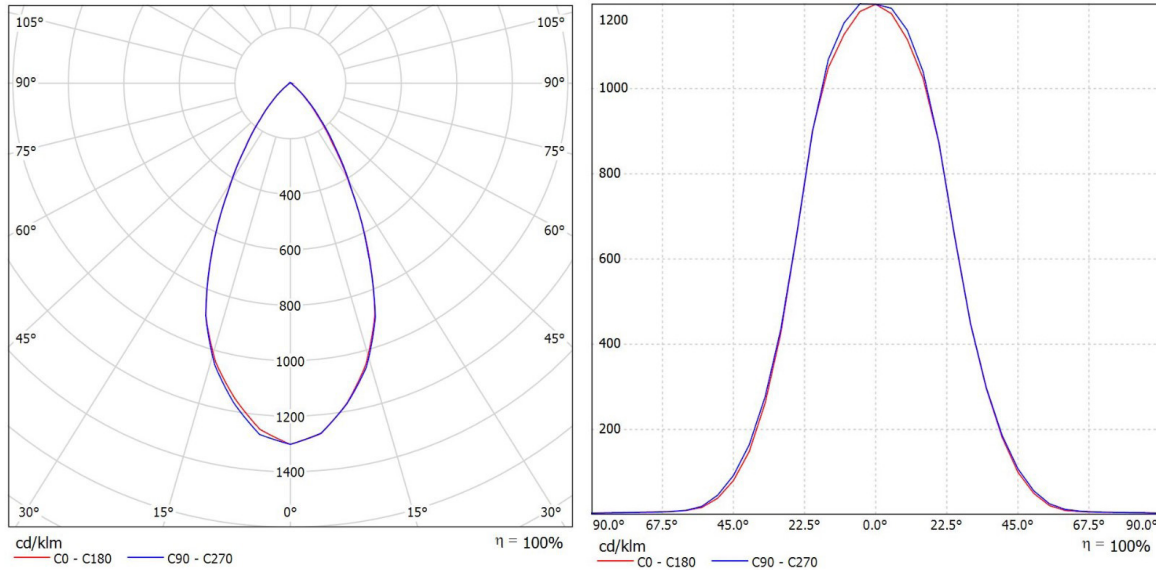
PRODUCT PICTURE



GENERAL SPECIFICATIONS

Product Code	TLS01NI-D78-60-AG-GL
Description	Highbay Lighting
Degree (FWHM)	51°
Efficiency	90%
Type	Single Optic -IP
Size (mm) ØxH	78x47 mm
Material / Operating Temp.	Optical Grade Glass / -40 ° C ~ + 500 ° C max
Fastening	Screw
Box Size (mm) W x L x H	
Box Quantity	pcs
Box Weight (g)	
Rohs Complaint	Yes
Storage Temperature	0 ° C ~ 40 ° C max
COB LED	LEDVANCE COB 1211

PHOTOMETRIC SPECIFICATIONS



APPLICATION NOTES

- Please use a little water and soft fabric (air-laid paper) to clean the lens & reflector if necessary.
- Forbid to use industrial solvent to clean the lens, such as alcohol.
- Storage environment temperature is 0°C~40°C, humidity is 30%~95%.
- Optic Lens has the function to change the ray of light, it is made of optical material, the effect shall be influenced once pollute. Please do not open the packing before use it, to avoid the dust pollution.
- Protect the product from the sun and other ultraviolet ray, as these will lead to aging, change color, crack, etc.
- Please wear gloves once install the lens, avoid to abrasion the lens surface.
- Forbid to use acidic or alkaline solution touch the product, avoid to generate the chemical reactions.

TLS01NI-D78-60-AG-GL with LUMILEDS LUXEON COB 1211

LED OPTIC DATASHEET

www.limbus.com.tr
444 27 33

LIMBUS
CONTROL YOUR LIGHT

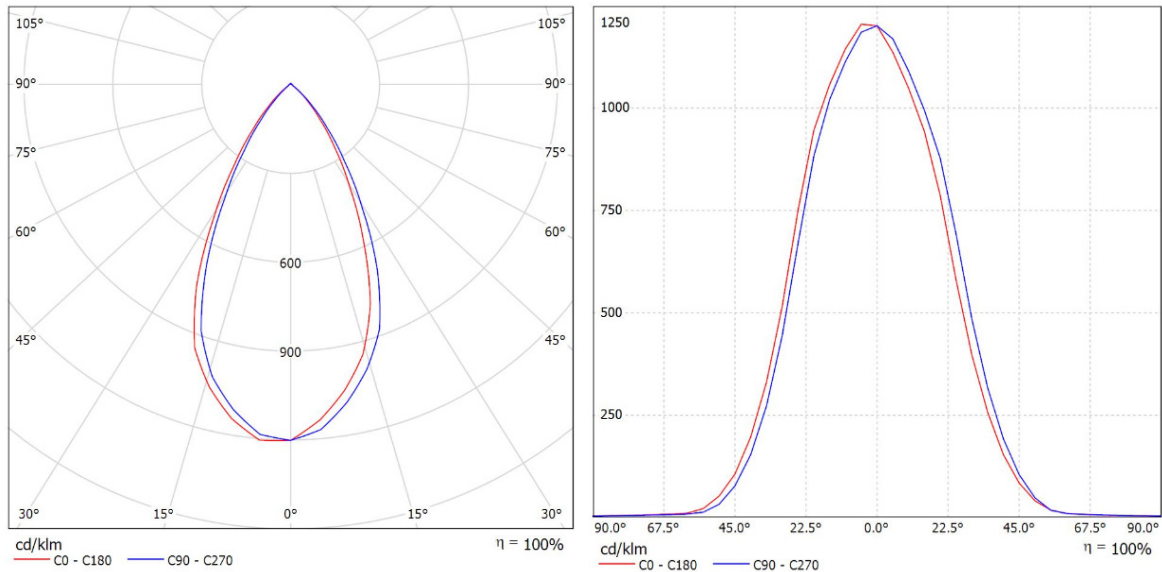
PRODUCT PICTURE



GENERAL SPECIFICATIONS

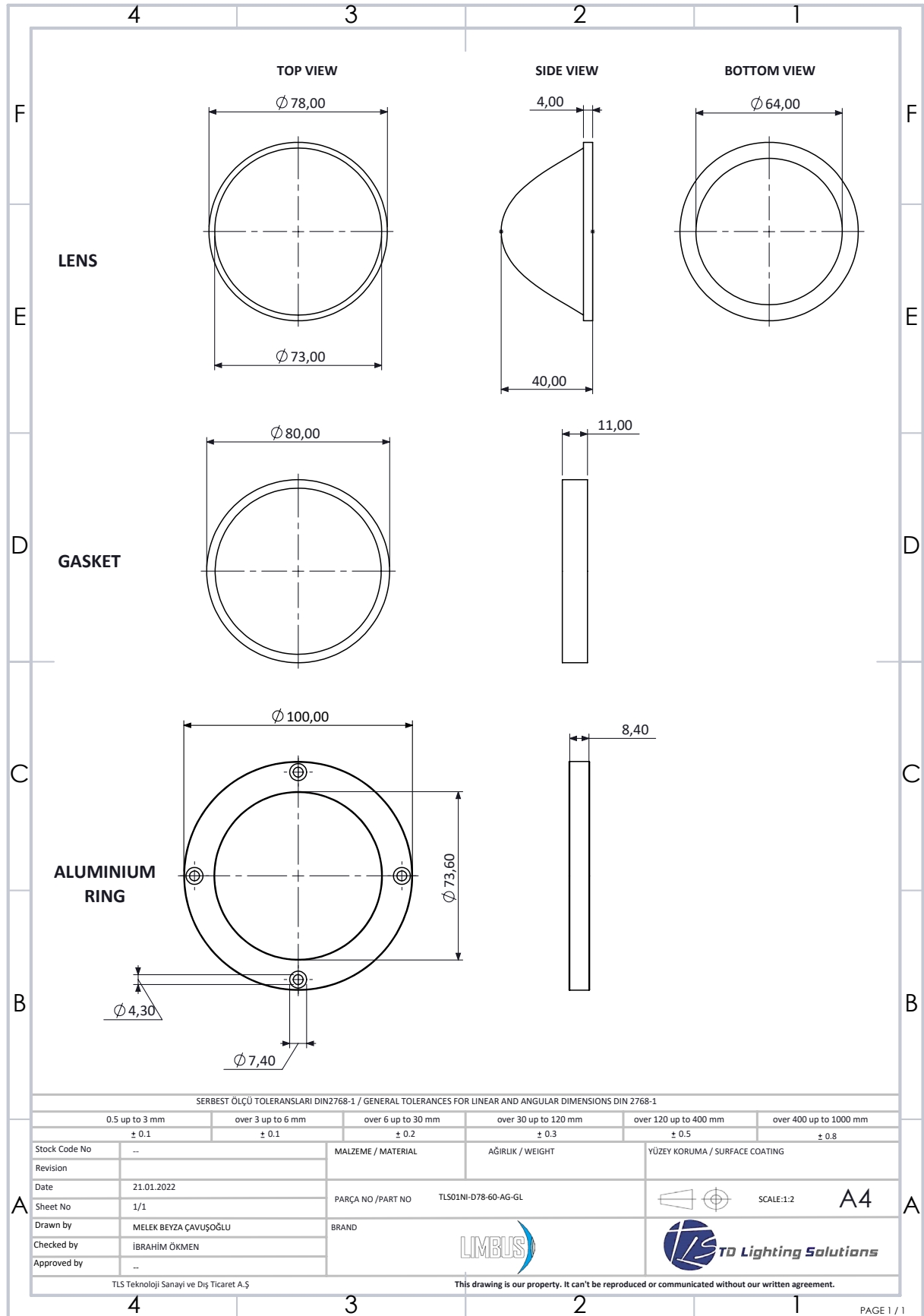
Product Code	TLS01NI-D78-60-AG-GL
Description	Highbay Lighting
Degree (FWHM)	53°
Efficiency	92%
Type	Single Optic -IP
Size (mm) ØxH	78x47 mm
Material / Operating Temp.	Optical Grade Glass / -40 ° C ~ + 500 ° C max
Fastening	Screw
Box Size (mm) W x L x H	
Box Quantity	pcs
Box Weight (g)	
Rohs Complaint	Yes
Storage Temperature	0 ° C ~ 40 ° C max
COB LED	LUXEON COB 1211 GEN4

PHOTOMETRIC SPECIFICATIONS



APPLICATION NOTES

- Please use a little water and soft fabric (air-laid paper) to clean the lens & reflector if necessary.
- Forbid to use industrial solvent to clean the lens, such as alcohol.
- Storage environment temperature is 0°C~40°C, humidity is 30%~95%.
- Optic Lens has the function to change the ray of light, it is made of optical material, the effect shall be influenced once pollute. Please do not open the packing before use it, to avoid the dust pollution.
- Protect the product from the sun and other ultraviolet ray, as these will lead to aging, change color, crack, etc.
- Please wear gloves once install the lens, avoid to abrasion the lens surface.
- Forbid to use acidic or alkaline solution touch the product, avoid to generate the chemical reactions.

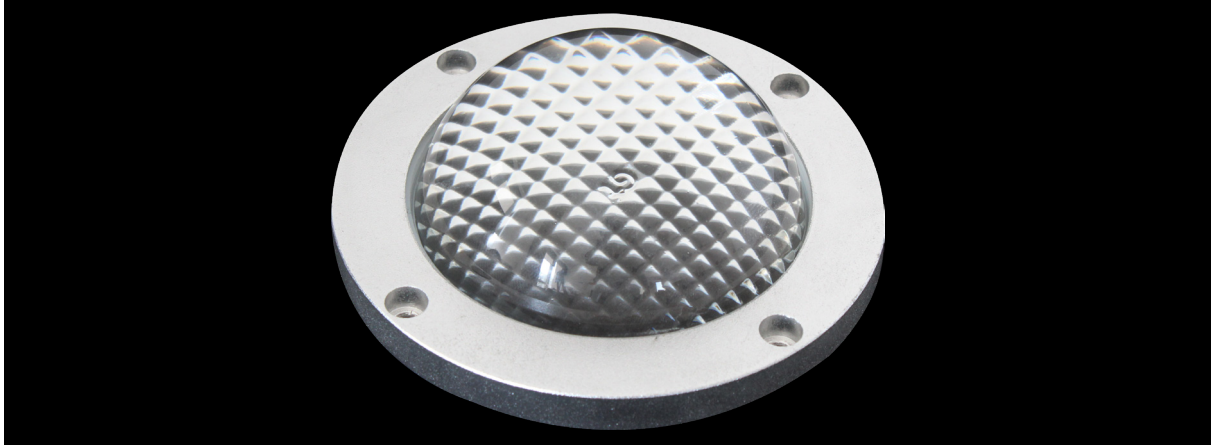


TLS01NI-D78-90-AG-GL
with LEDVANCE LVCOB VAL-050-1208
 LED OPTIC DATASHEET

www.limbus.com.tr
 444 27 33

LIMBUS
 CONTROL YOUR LIGHT

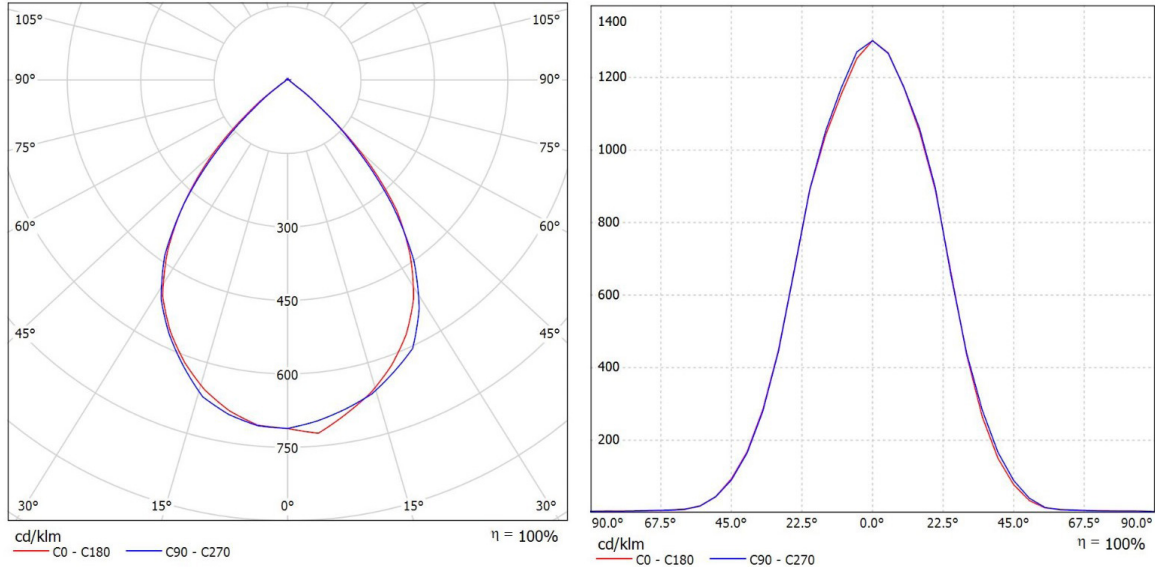
PRODUCT PICTURE



GENERAL SPECIFICATIONS

Product Code	TLS01NI-D78-90-AG-GL
Description	Highbay Lighting
Degree (FWHM)	78°
Efficiency	90%
Type	Single Optic -IP
Size (mm) ØxH	78x33 mm
Material / Operating Temp.	Optical Grade Glass / -40 ° C ~ + 500 ° C max
Fastening	Screw
Box Size (mm) W x L x H	
Box Quantity	pcs
Box Weight (g)	
Rohs Complaint	Yes
Storage Temperature	0 ° C ~ 40 ° C max
COB LED	LEDVANCE 1208 COB

PHOTOMETRIC SPECIFICATIONS



APPLICATION NOTES

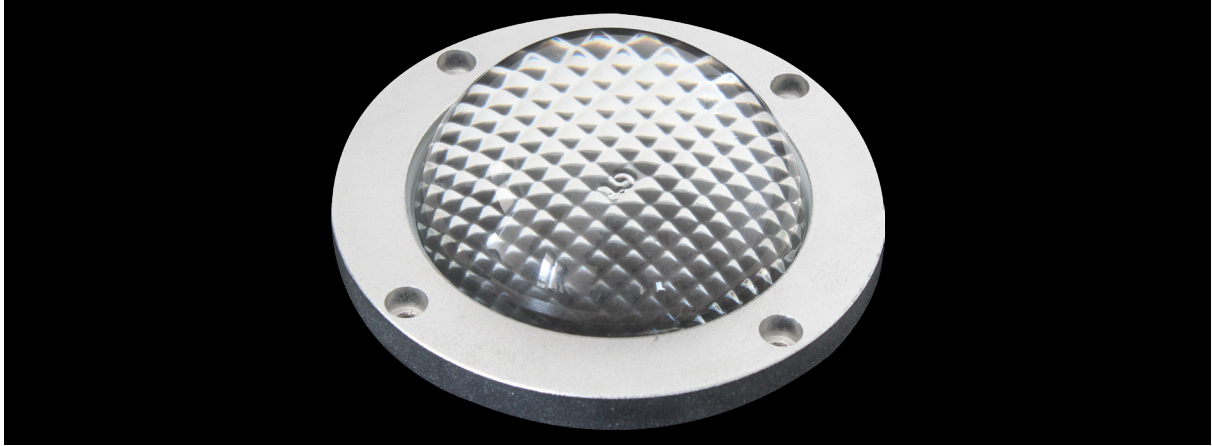
- Please use a little water and soft fabric (air-laid paper) to clean the lens & reflector if necessary.
- Forbid to use industrial solvent to clean the lens, such as alcohol.
- Storage environment temperature is 0°C~40°C, humidity is 30%~95%.
- Optic Lens has the function to change the ray of light, it is made of optical material, the effect shall be influenced once pollute. Please do not open the packing before use it, to avoid the dust pollution.
- Protect the product from the sun and other ultraviolet ray, as these will lead to aging, change color, crack, etc.
- Please wear gloves once install the lens, avoid to abrasion the lens surface.
- Forbid to use acidic or alkaline solution touch the product, avoid to generate the chemical reactions.

TLS01NI-D78-90-AG-GL
with LEDVANCE LVC0B VAL-087-1211
 LED OPTIC DATASHEET

www.limbus.com.tr
 444 27 33

LIMBUS
 CONTROL YOUR LIGHT

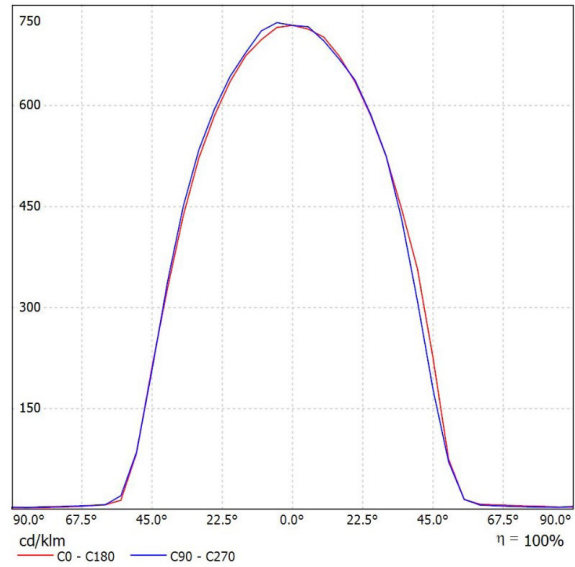
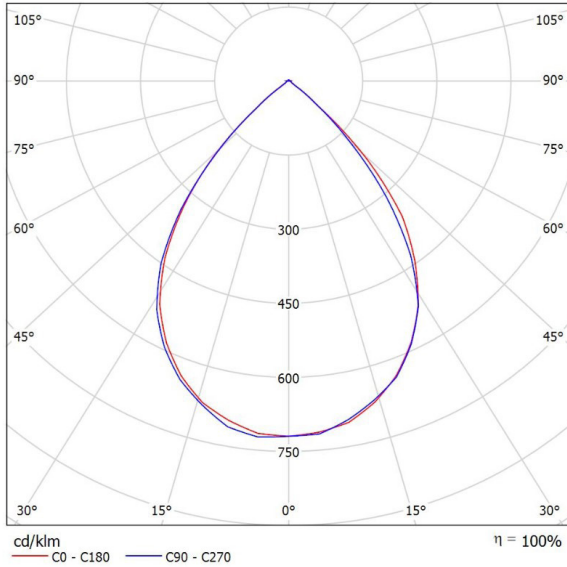
PRODUCT PICTURE



GENERAL SPECIFICATIONS

Product Code	TLS01NI-D78-90-AG-GL
Description	Highbay Lighting
Degree (FWHM)	78°
Efficiency	92%
Type	Single Optic -IP
Size (mm) ØxH	78x47 mm
Material / Operating Temp.	Optical Grade Glass / -40 ° C ~ + 500 ° C max
Fastening	Screw
Box Size (mm) W x L x H	
Box Quantity	pcs
Box Weight (g)	
Rohs Complaint	Yes
Storage Temperature	0 ° C ~ 40 ° C max
COB LED	LEDVANCE COB 1211

PHOTOMETRIC SPECIFICATIONS



APPLICATION NOTES

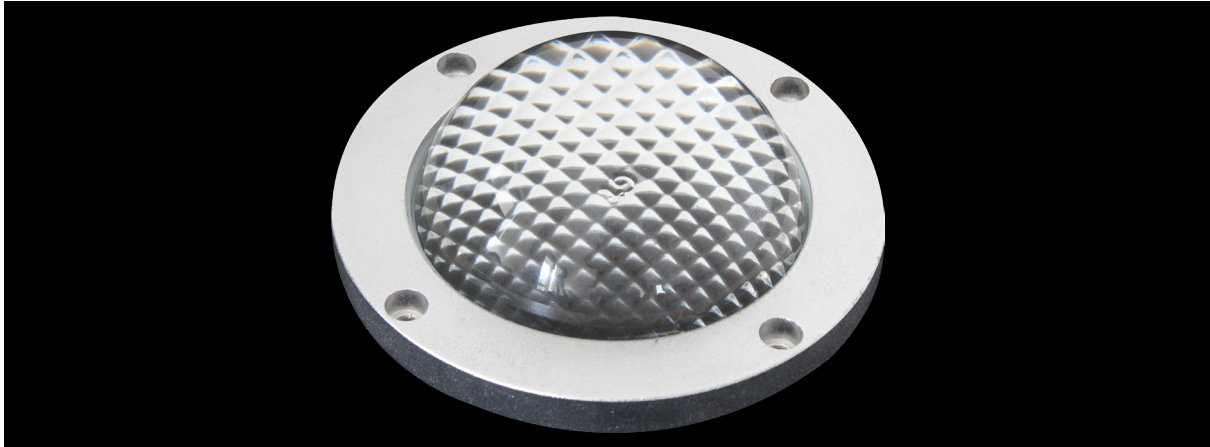
- Please use a little water and soft fabric (air-laid paper) to clean the lens & reflector if necessary.
- Forbid to use industrial solvent to clean the lens, such as alcohol.
- Storage environment temperature is 0°C~40°C, humidity is 30%~95%.
- Optic Lens has the function to change the ray of light, it is made of optical material, the effect shall be influenced once pollute. Please do not open the packing before use it, to avoid the dust pollution.
- Protect the product from the sun and other ultraviolet ray, as these will lead to aging, change color, crack, etc.
- Please wear gloves once install the lens, avoid to abrasion the lens surface.
- Forbid to use acidic or alkaline solution touch the product, avoid to generate the chemical reactions.

TLS01NI-D78-90-AG-GL
with LUMILEDS LUXEON COB 1211
 LED OPTIC DATASHEET

www.limbus.com.tr
 444 27 33

LIMBUS
 CONTROL YOUR LIGHT

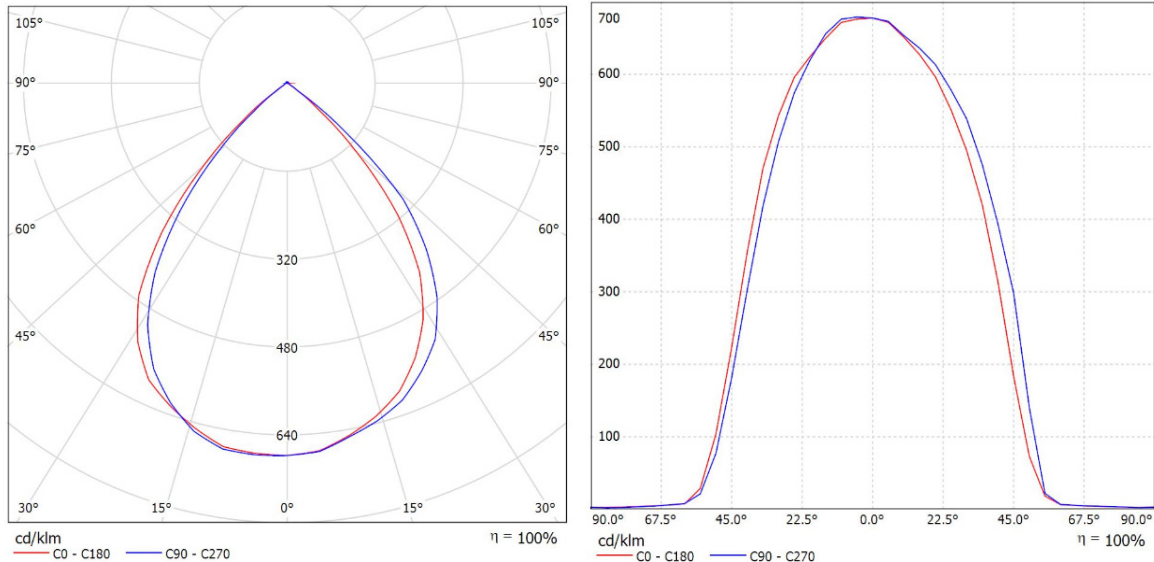
PRODUCT PICTURE



GENERAL SPECIFICATIONS

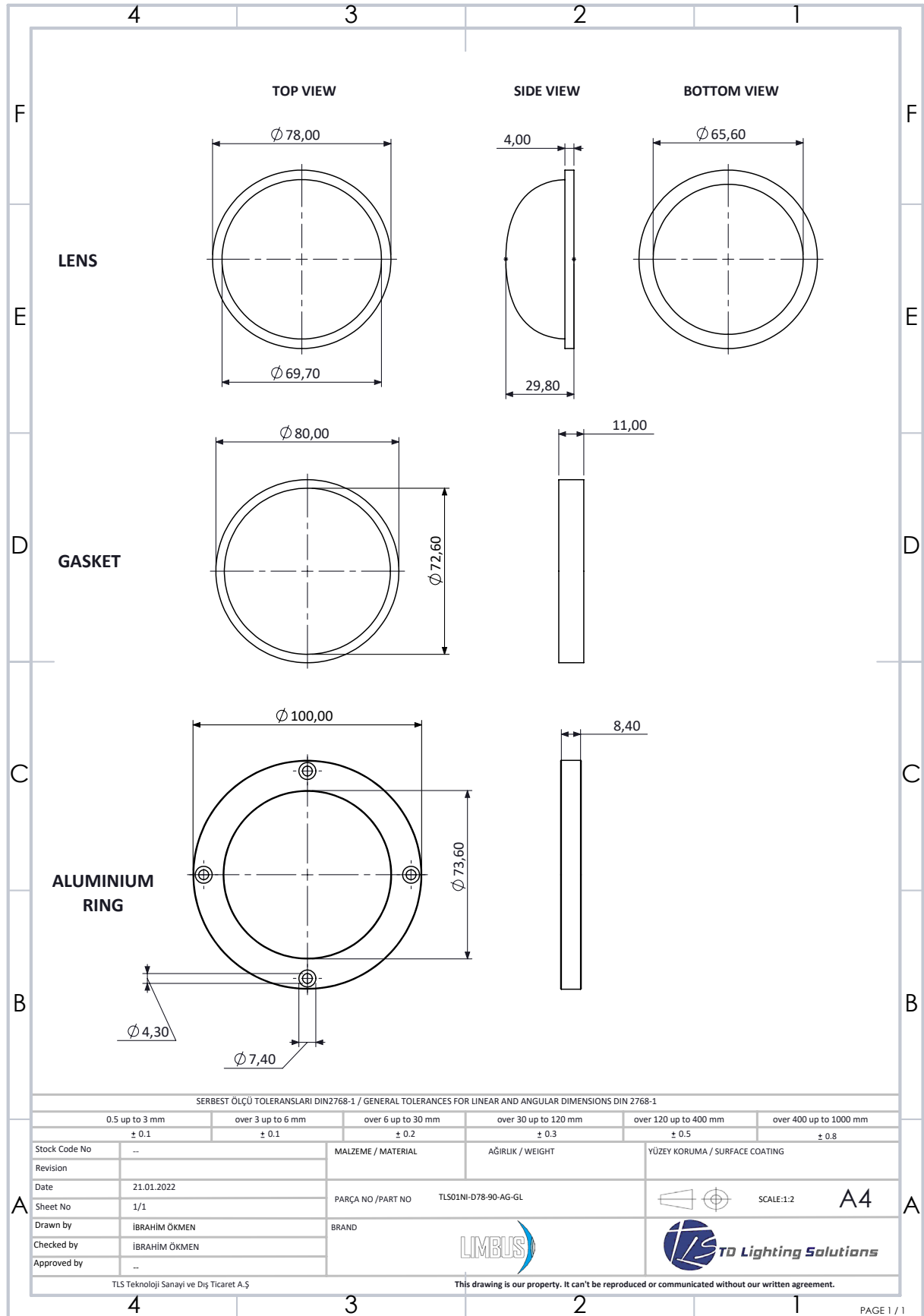
Product Code	TLS01NI-D78-90-AG-GL
Description	Highbay Lighting
Degree (FWHM)	81°
Efficiency	93%
Type	Single Optic -IP
Size (mm) ØxH	78x47 mm
Material / Operating Temp.	Optical Grade Glass / -40 ° C ~ + 500 ° C max
Fastening	Screw
Box Size (mm) W x L x H	
Box Quantity	pcs
Box Weight (g)	
Rohs Complaint	Yes
Storage Temperature	0 ° C ~ 40 ° C max
COB LED	LUXEON COB 1211 GEN4

PHOTOMETRIC SPECIFICATIONS



APPLICATION NOTES

- Please use a litter water and soft fabric (air-laid paper) to clean the lens & reflector if necessary.
- Forbid to use industrial solvent to clean the lens, such as alcohol.
- Storage environment temperature is 0°C~40°C, humidity is 30%~95%.
- Optic Lens has the function to change the ray of light, it is made of optical material, the effect shall be influenced once pollute. Please do not open the packing before use it, to avoid the dust pollution.
- Protect the product from the sun and other ultraviolet ray, as these will lead to aging, change color, crack, etc.
- Please ware gloves once install the lens, avoid to abrasion the lens surface.
- Forbid to use acidic or alkaline solution touch the product, avoid to generate the chemical reactions.



TLS01NI-D78-120-AG-GL with LEDVANCE LVCOB VAL-050-1208

LED OPTIC DATASHEET

www.limbus.com.tr
444 27 33

LIMBUS
CONTROL YOUR LIGHT

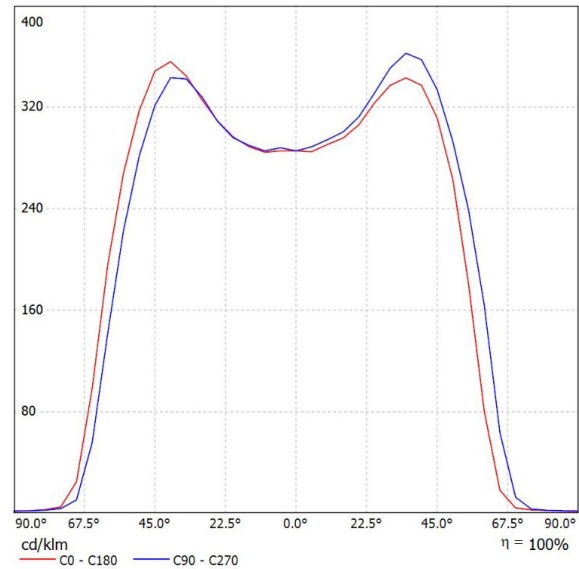
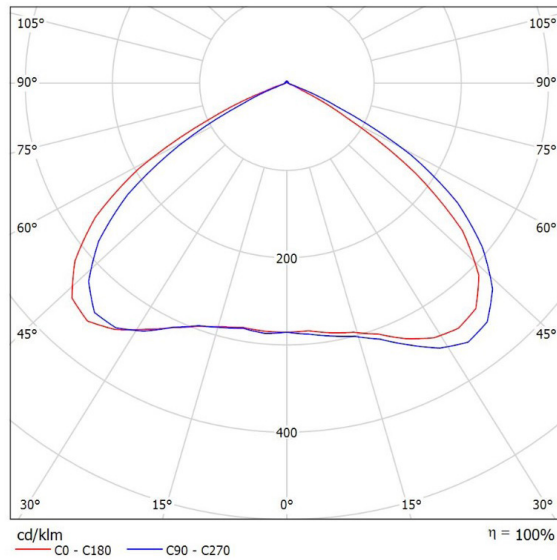
PRODUCT PICTURE



GENERAL SPECIFICATIONS

Product Code	TLS01NI-D78-120-AG-GL
Description	Highbay Lighting
Degree (FWHM)	116°
Efficiency	92%
Type	Single Optic -IP
Size (mm) ØxH	78x33 mm
Material / Operating Temp.	Optical Grade Glass / -40 ° C ~ + 500 ° C max
Fastening	Screw
Box Size (mm) W x L x H	
Box Quantity	pcs
Box Weight (g)	
Rohs Complaint	Yes
Storage Temperature	0 ° C ~ 40 ° C max
COB LED	LEDVANCE COB 1208

PHOTOMETRIC SPECIFICATIONS



APPLICATION NOTES

- Please use a litter water and soft fabric (air-laid paper) to clean the lens & reflector if necessary.
- Forbid to use industrial solvent to clean the lens, such as alcohol.
- Storage environment temperature is 0°C~40°C, humidity is 30%~95%.
- Optic Lens has the function to change the ray of light, it is made of optical material, the effect shall be influenced once pollute. Please do not open the packing before use it, to avoid the dust pollution.
- Protect the product from the sun and other ultraviolet ray, as these will lead to aging, change color, crack, etc.
- Please ware gloves once install the lens, avoid to abrasion the lens surface.
- Forbid to use acidic or alkaline solution touch the product, avoid to generate the chemical reactions.

TLS01NI-D78-120-AG-GL
with LEDVANCE LVCOB VAL-087-1211
 LED OPTIC DATASHEET

www.limbus.com.tr
 444 27 33

LIMBUS
 CONTROL YOUR LIGHT

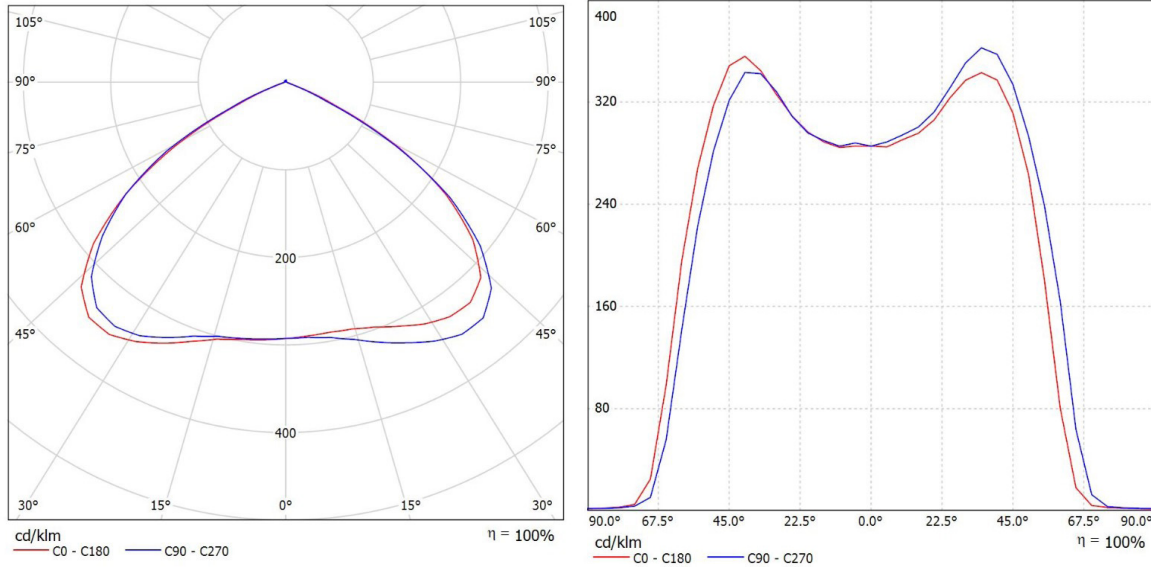
PRODUCT PICTURE



GENERAL SPECIFICATIONS

Product Code	TLS01NI-D78-120-AG-GL
Description	Highbay Lighting
Degree (FWHM)	117°
Efficiency	93%
Type	Single Optic -IP
Size (mm) ØxH	78x47 mm
Material / Operating Temp.	Optical Grade Glass / -40 ° C ~ + 500 ° C max
Fastening	Screw
Box Size (mm) W x L x H	
Box Quantity	pcs
Box Weight (g)	
Rohs Complaint	Yes
Storage Temperature	0 ° C ~ 40 ° C max
COB LED	LEDVANCE COB 1211

PHOTOMETRIC SPECIFICATIONS



APPLICATION NOTES

- Please use a little water and soft fabric (air-laid paper) to clean the lens & reflector if necessary.
- Forbid to use industrial solvent to clean the lens, such as alcohol.
- Storage environment temperature is 0°C~40°C, humidity is 30%~95%.
- Optic Lens has the function to change the ray of light, it is made of optical material, the effect shall be influenced once pollute. Please do not open the packing before use it, to avoid the dust pollution.
- Protect the product from the sun and other ultraviolet ray, as these will lead to aging, change color, crack, etc.
- Please wear gloves once install the lens, avoid to abrasion the lens surface.
- Forbid to use acidic or alkaline solution touch the product, avoid to generate the chemical reactions.

TLS01NI-D78-120-AG-GL with LUMILEDS LUXEON COB 1211

LED OPTIC DATASHEET

www.limbus.com.tr
444 27 33

LIMBUS
CONTROL YOUR LIGHT

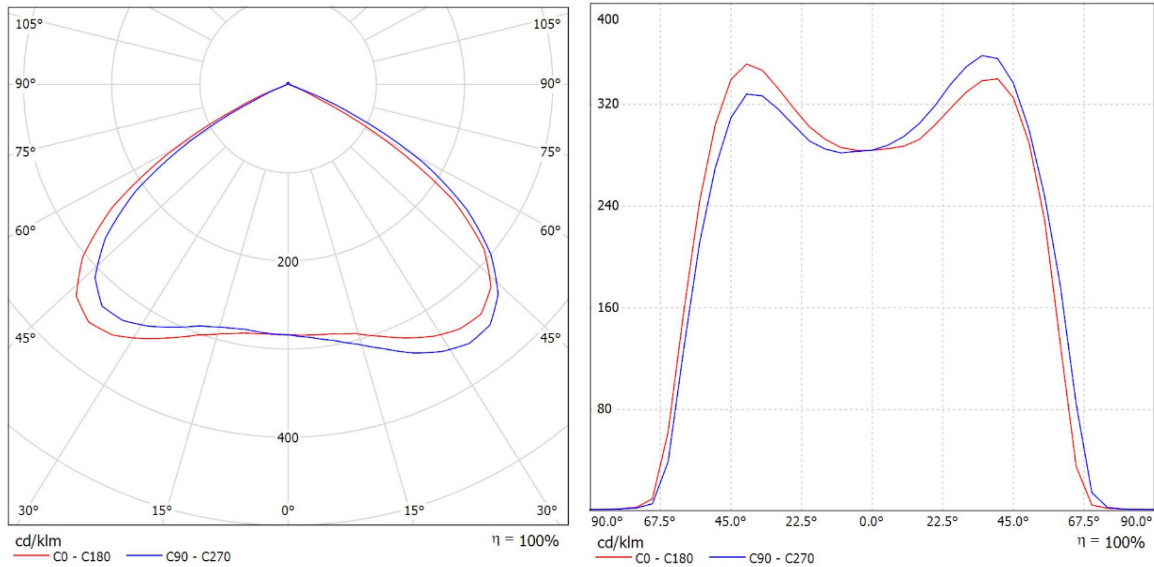
PRODUCT PICTURE



GENERAL SPECIFICATIONS

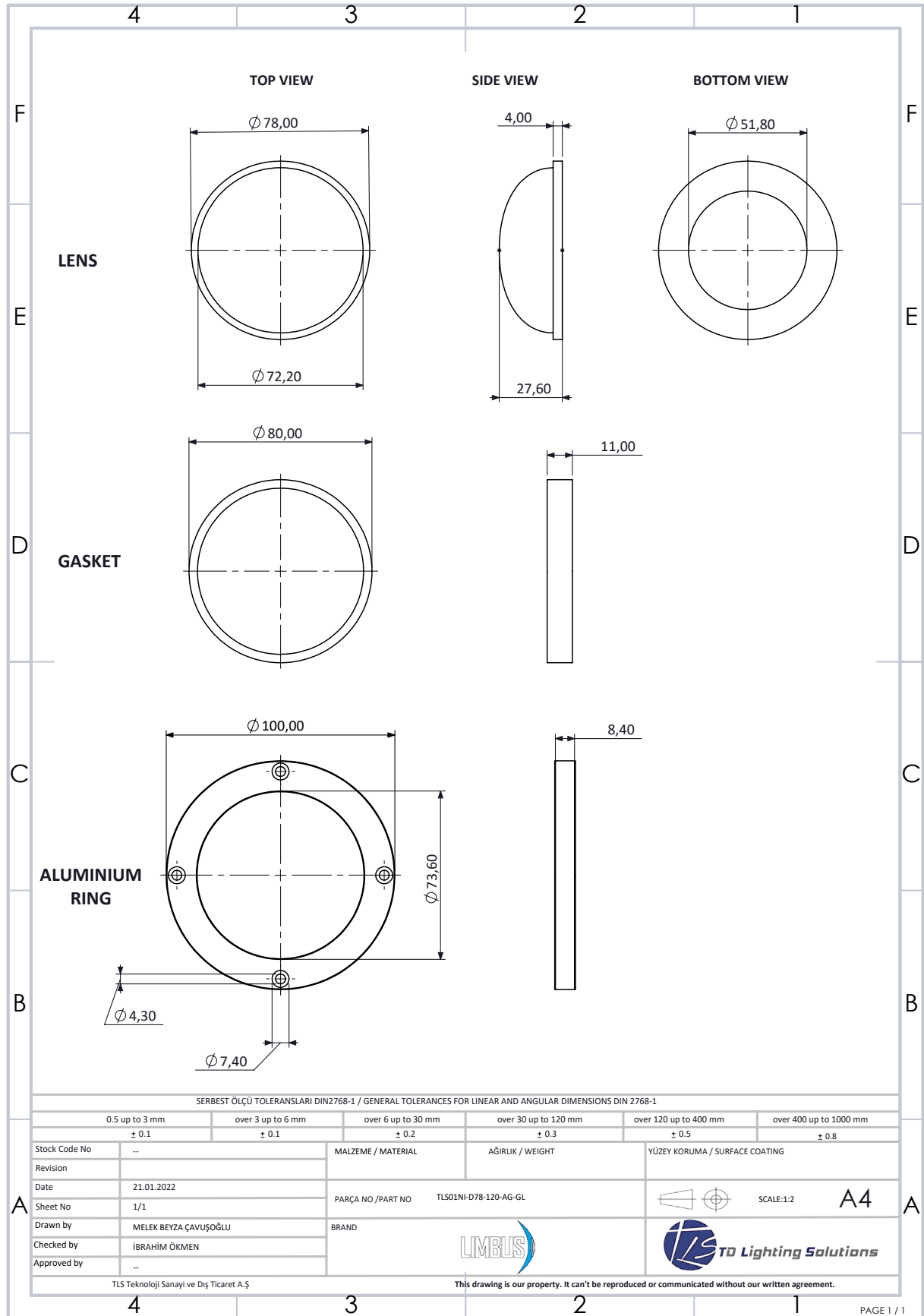
Product Code	TLS01NI-D78-120-AG-GL
Description	Highbay Lighting
Degree (FWHM)	117°
Efficiency	93%
Type	Single Optic -IP
Size (mm) ØxH	78x47 mm
Material / Operating Temp.	Optical Grade Glass / -40 ° C ~ + 500 ° C max
Fastening	Screw
Box Size (mm) W x L x H	
Box Quantity	pcs
Box Weight (g)	
Rohs Complaint	Yes
Storage Temperature	0 ° C ~ 40 ° C max
COB LED	LUXEON COB 1211 GEN4

PHOTOMETRIC SPECIFICATIONS



APPLICATION NOTES

- Please use a litter water and soft fabric (air-laid paper) to clean the lens & reflector if necessary.
- Forbid to use industrial solvent to clean the lens, such as alcohol.
- Storage environment temperature is 0°C~40°C, humidity is 30%~95%.
- Optic Lens has the function to change the ray of light, it is made of optical material, the effect shall be influenced once pollute. Please do not open the packing before use it, to avoid the dust pollution.
- Protect the product from the sun and other ultraviolet ray, as these will lead to aging, change color, crack, etc.
- Please ware gloves once install the lens, avoid to abrasion the lens surface.
- Forbid to use acidic or alkaline solution touch the product, avoid to generate the chemical reactions.



TLS01NI-D78-130x80-GL with LEDVANCE LVCOB VAL-050-1208

LED OPTIC DATASHEET

www.limbus.com.tr
444 27 33

LIMBUS
CONTROL YOUR LIGHT

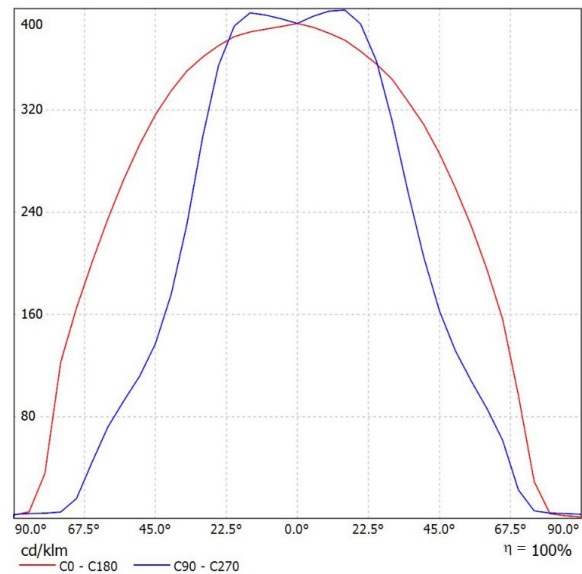
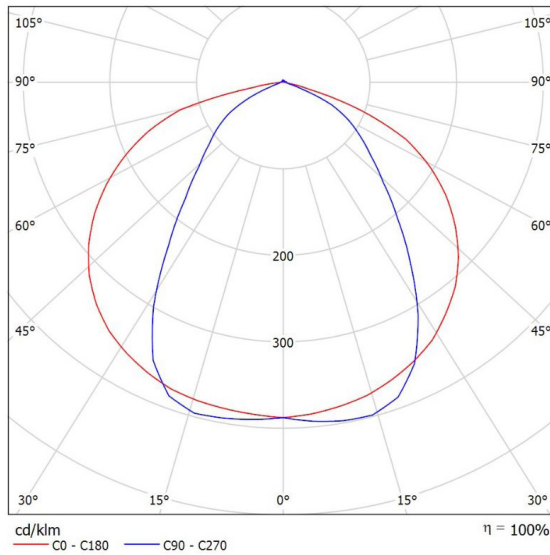
PRODUCT PICTURE



GENERAL SPECIFICATIONS

Product Code	TLS01NI-D78-130X80-GL
Description	Highbay Lighting
Degree (FWHM)	126x78°
Efficiency	92%
Type	Single Optic -IP
Size (mm) ØxH	78x31 mm
Material / Operating Temp.	Optical Grade Glass / -40 ° C ~ + 500 ° C max
Fastening	Screw
Box Size (mm) W x L x H	
Box Quantity	pcs
Box Weight (g)	
Rohs Complaint	Yes
Storage Temperature	0 ° C ~ 40 ° C max
COB LED	LEDVANCE COB 1208

PHOTOMETRIC SPECIFICATIONS



APPLICATION NOTES

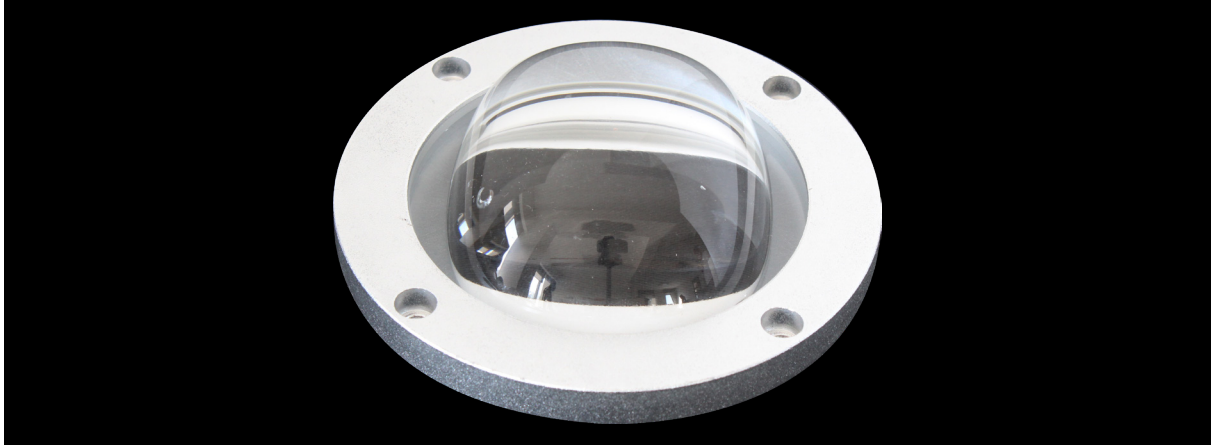
- Please use a little water and soft fabric (air-laid paper) to clean the lens & reflector if necessary.
- Forbid to use industrial solvent to clean the lens, such as alcohol.
- Storage environment temperature is 0°C~40°C, humidity is 30%~95%.
- Optic Lens has the function to change the ray of light, it is made of optical material, the effect shall be influenced once pollute. Please do not open the packing before use it, to avoid the dust pollution.
- Protect the product from the sun and other ultraviolet ray, as these will lead to aging, change color, crack, etc.
- Please wear gloves once install the lens, avoid to abrasion the lens surface.
- Forbid to use acidic or alkaline solution touch the product, avoid to generate the chemical reactions.

TLS01NI-D78-130x80-GL
with LEDVANCE LVCOB VAL-087-1211
 LED OPTIC DATASHEET

www.limbus.com.tr
 444 27 33

LIMBUS
 CONTROL YOUR LIGHT

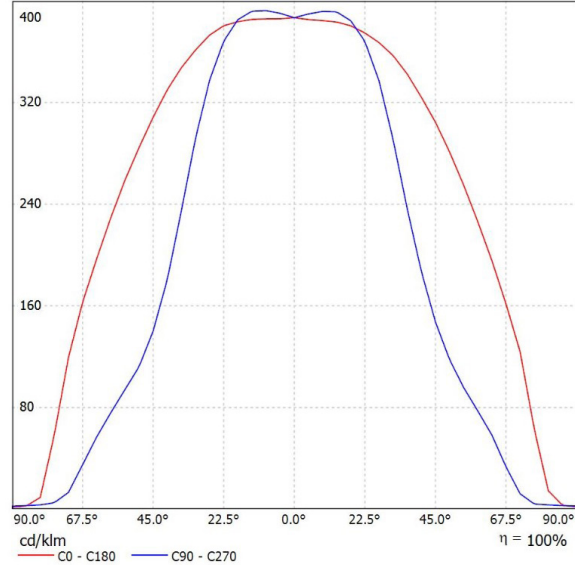
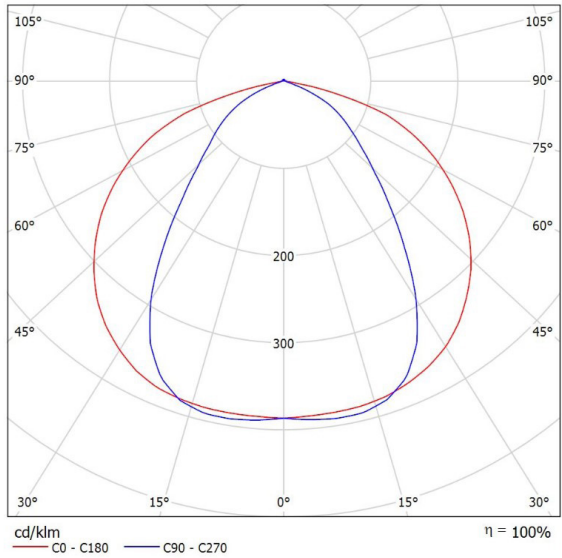
PRODUCT PICTURE



GENERAL SPECIFICATIONS

Product Code	TLS01NI-D78-130X80-GL
Description	Highbay Lighting
Degree (FWHM)	126x78°
Efficiency	93%
Type	Single Optic -IP
Size (mm) ØxH	78x47 mm
Material / Operating Temp.	Optical Grade Glass / -40 ° C ~ + 500 ° C max
Fastening	Screw
Box Size (mm) W x L x H	
Box Quantity	pcs
Box Weight (g)	
Rohs Complaint	Yes
Storage Temperature	0 ° C ~ 40 ° C max
COB LED	LEDVANCE COB 1211

PHOTOMETRIC SPECIFICATIONS



APPLICATION NOTES

- Please use a litter water and soft fabric (air-laid paper) to clean the lens & reflector if necessary.
- Forbid to use industrial solvent to clean the lens, such as alcohol.
- Storage environment temperature is 0°C~40°C,humidity is 30%~95%.
- Optic Lens has the function to change the ray of light, it is made of optical material, the effect shall be influenced once pollute. Please do not open the packing before use it,to avoid the dust pollution.
- Protect the product from the sun and other ultraviolet ray, as these will lead to aging, change color, crack, etc.
- Please ware gloves once install the lens, avoid to abrasion the lens surface.
- Forbid to use acidic or alkaline solution touch the product, avoid to generate the chemical reactions.

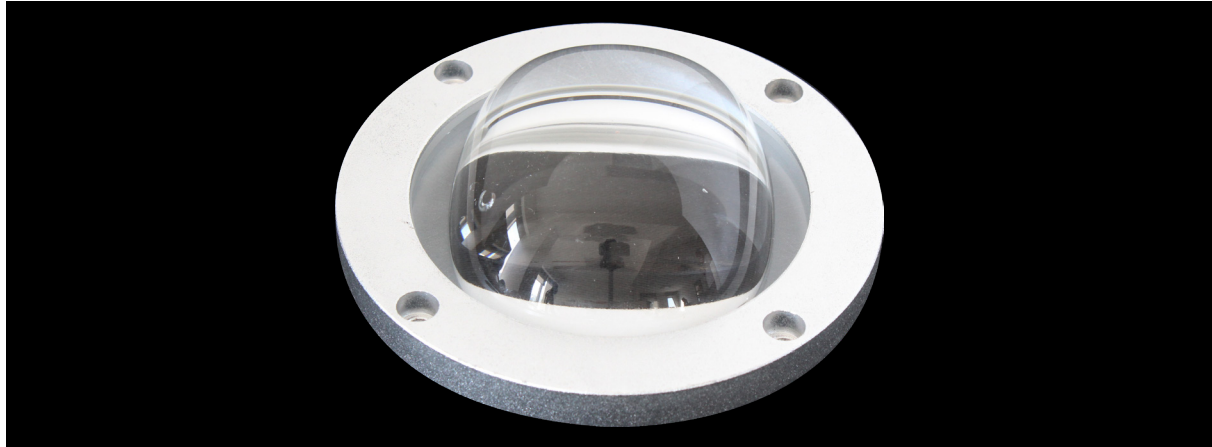
TLS01NI-D78-130x80-GL with LUMILEDS LUXEON COB 1211

LED OPTIC DATASHEET

www.limbus.com.tr
444 27 33

LIMBUS
CONTROL YOUR LIGHT

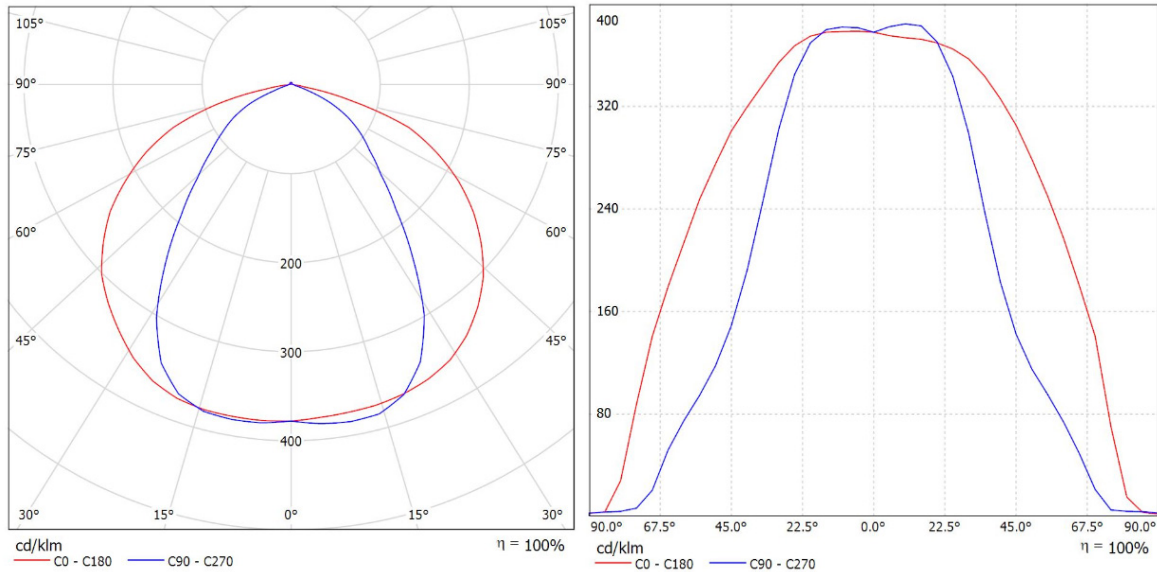
PRODUCT PICTURE



GENERAL SPECIFICATIONS

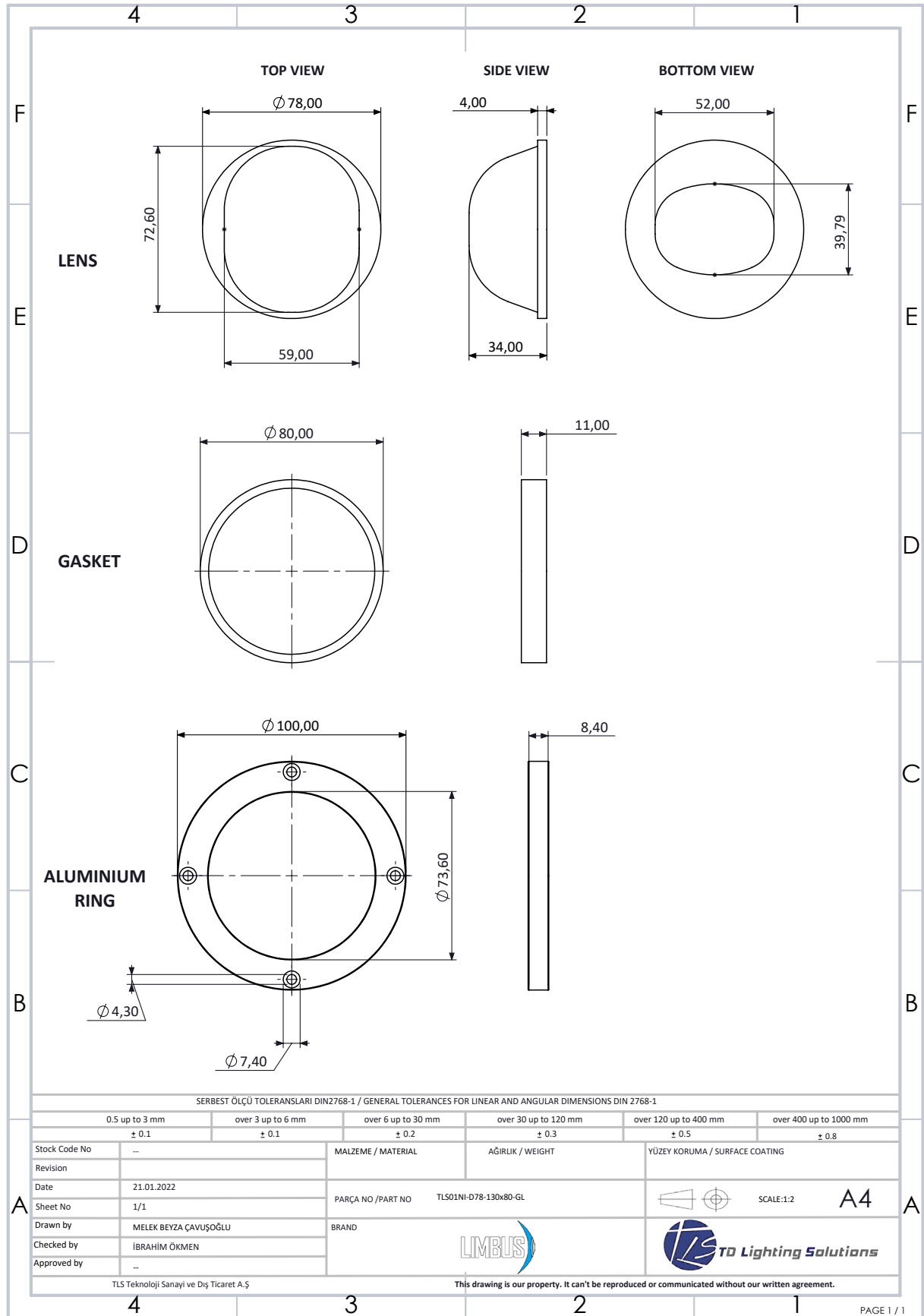
Product Code	TLS01NI-D78-130X80-AG-GL
Description	Highbay Lighting
Degree (FWHM)	127x79°
Efficiency	88%
Type	Single Optic -IP
Size (mm) ØxH	78x47 mm
Material / Operating Temp.	Optical Grade Glass / -40 ° C ~ + 500 ° C max
Fastening	Screw
Box Size (mm) W x L x H	
Box Quantity	pcs
Box Weight (g)	
Rohs Complaint	Yes
Storage Temperature	0 ° C ~ 40 ° C max
COB LED	LUXEON COB 1211 GEN4

PHOTOMETRIC SPECIFICATIONS



APPLICATION NOTES

- Please use a litter water and soft fabric (air-laid paper) to clean the lens & reflector if necessary.
- Forbid to use industrial solvent to clean the lens, such as alcohol.
- Storage environment temperature is 0°C~40°C, humidity is 30%~95%.
- Optic Lens has the function to change the ray of light, it is made of optical material, the effect shall be influenced once pollute. Please do not open the packing before use it, to avoid the dust pollution.
- Protect the product from the sun and other ultraviolet ray, as these will lead to aging, change color, crack, etc.
- Please ware gloves once install the lens, avoid to abrasion the lens surface.
- Forbid to use acidic or alkaline solution touch the product, avoid to generate the chemical reactions.



TLS01NI-D78 Series

LED OPTIC DATASHEET

www.limbus.com.tr
444 27 33

LIMBUS
CONTROL YOUR LIGHT

LEGAL NOTICE

Product information provided by TLS Teknoloji Sistemleri San ve Dış Tic AŞ ("TLS") in this document is believed to be correct and accurate. TLS reserves the right to change/correct the specifications and other data or information relating to products without notice but TLS accepts no liability for errors that may appear in this document, howsoever occurring, or liability arising from the use or application of any information or data provided herein. Neither the supply of such information, nor the purchase or use of products conveys any licence or permission under patent, copyright, trademark or other intellectual property right of TLS or third parties.

Products sold by TLS are subject to its standard Terms and Conditions of Sale that are available on request. No warranty is given that products do not infringe the intellectual property rights of third parties, and furthermore, the use of products in certain ways or in combination with TLS, or non-TLS furnished equipments/components may infringe intellectual property rights of TLS.

The purpose of this document is to provide information only and it may not be used, applied or reproduced (in whole or in part) for any purpose nor be taken as a representation relating to the products in question. No warranty or guarantee express or implied is made concerning the capability, performance or suitability of any product, and information concerning possible applications or methods of use is provided for guidance only and not as a recommendation. The user is solely responsible for determining the performance and suitability of the product in any application and checking that any specification or data it seeks to rely on has not been superseded.

Products are intended for normal commercial applications. For applications requiring unusual environmental requirements, extended temperature range, or high reliability capability (e.g. military, or medical applications), special processing/testing/conditions of sale may be available on application to TLS.

CONTACT

TLS Teknoloji Sistemleri San ve Dış Tic AŞ

Akçaburgaz Mahallesi 3080. Sokak No:5 Esenyurt / İstanbul / TURKEY

info@tlsteknoloji.com
+90 444 27 33